

Lovibond® Water Testing

Tintometer® Group



Turbidimeter



TB 350

(EN) Quick Start Guide.....	3	(FR) Guide de démarrage rapide.....	28
(ES) Guía de inicio rápido.....	54	(PT) Guia de Início Rápido.....	79

1 Introduction

1.1 General Information

1.1.1 Read instructions before use

This manual provides important information on the safe operation of the product. Please read this manual carefully and familiarize yourself with the product before use.

1.1.2 Purpose of the Product

The TB Series Portable Turbidimeter is designed to analyze aqueous samples that are collected into a glass vial that is then capped. The vial is prepared for measurement using a scrupulous technique to minimize interferences from dust and scratches. Once prepared, the vial is placed in the instrument for measurement.

The instrument can be used in the laboratory or taken to the field to perform measurements on samples as they are collected.

The handling of this turbidimeter should be done with care during any transport. If the instrument is taken into the field, the carrying case should be used. If used for regulatory applications, consultation with the local regulatory authorities is advised to ensure the correct model of instrument is selected.

1.1.3 Authorized use

The manufacturer's liability and warranty for damage is voided with improper use, failure to follow this manual, use by unqualified personnel, or unauthorized changes to the product.

The manufacturer is not liable for costs or damages that arise from the user or third parties due to the use of this product, especially in cases of improper use of the product or misuse or faults in the connection of the product.

The manufacturer assumes no liability for print errors.

1.1.4 Requirements for safe use

Note the following points for safe use of the unit:

- If the equipment is used in a manner not specified by the manufacturer, the protection provided by the equipment may be impaired.
- The product may only be used according to the authorized use specified above.
- The product may only be supplied with power by the energy sources mentioned in this operating manual.
- The product may only be used under the environmental conditions mentioned in this operating manual.
- The product must not be opened or modified.

The product must not be used if:

- it is visibly damaged (e.g. after being transported)
- it was stored under adverse conditions for a lengthy period of time (storage conditions, see Chapter "Specifications")

Prerequisites for safe use of the plug-in power supply unit

Observe the following points for safe use:

- Check for visible damage before use. If damaged, do not put into operation.
- Use only in dry rooms.
- Handle only with dry hands.
- Only the power supply recommended by the manufacturer may be used.
- The product must not be opened or modified.
- Only the USB-C cable recommended by the manufacturer may be used to power the device.

1.1.5 Keep instructions

The manual must be kept in the vicinity of the product so you can always find the information you need.

1.1.6 User qualification

The operating personnel must be able to understand and correctly implement the safety labels and safety instructions on the packages and inserts of the products.

The user must be capable and able to read and understand this manual in order to familiarize themselves with the handling and to ensure safe use.

1.1.7 Handling of hazardous chemicals

Chemical and/or biological hazards may exist where this product is used. Abide by all governing laws, regulations and protocols when using this product.

For the development of products, Lovibond® pays close attention to safety. Some hazards from dangerous substances cannot be avoided. If self-produced tests or solutions are used, the responsibility concerning any risks caused by those tests or solutions lies with the user (personal responsibility).

For your own protection, for turbidity standards greater than 5 NTU, wearing protective gloves or goggles is recommended. Observe the relevant safety data sheet.

The safety datasheets of the chemicals comprise all instructions on safe handling, occurring hazards, preventive actions and actions to take in hazardous situations.

1.1.8 Disposal notes

Dispose of the batteries and electrical devices at a suitable facility according to local legal requirements.

It is illegal to dispose of the batteries with household waste.




Within the European Union, the batteries are removed at a specialized treatment center at the instrument's end of life.



Instruments marked with this symbol must not be disposed of in normal domestic waste.

1.2 List of all used signs in the document

The following symbols are used in this manual to identify sections that require special attention:

 <p>Danger!</p>	<p>A hazard exists that will result in death or severe injury if not avoided.</p>
 <p>Warning!</p>	<p>Improper handling of certain reagents can cause damage to your health. In any case follow the safety labels on the packing, the safety instructions of the package insert and available SDS. Protective measures specified there have to be followed exactly.</p>
 <p>Caution!</p>	<p>A hazard exists that may result in minor or moderate injury.</p>

1.3 Abbreviations

Abbreviation	Definition
NTU	Nephelometric Turbidity Unit
FNU	Formazin Nephelometric Units
mg/l	Milligram per liter

2 Product overview

2.1 Guide to symbols

- Labels attached to the product should be strictly observed to avoid personal injury or damage to the product. Refer to this chapter for information regarding the nature of the danger or risk before taking any action where such label is present.



For professional users in the European Union:

If you wish to discard electrical and electronic equipment (EEE), please contact your dealer or supplier for further information.

For disposal in countries outside of the European Union:

This symbol is only valid in the European Union (EU). If you wish to discard this product please contact your local authorities or dealer and ask for the correct method of disposal.

2.2 Certification

EMC Conducted and radiated emissions	CISPR 11 (Class A Limits)	CE mark
EMC Immunity	EN 61326-1 (Industrial limits)	CE mark
Safety	EN 61010-1	TÜV safety mark
FCC	FCC Class A	FCC mark

FCC Class A Notice

This device complies with Part 15 of the FCC Rules. Operation is subject to the following two conditions:

- This device may not cause harmful interference.
- This device must accept any interference received, including interference that may cause undesired operation.

Note: This equipment has been tested and found to comply with the limits for a Class A digital device, pursuant to Part 15 of the FCC Rules. These limits are designed to provide reasonable protection against harmful interference when the equipment is operated in a commercial environment. This equipment generates, uses and can radiate radio frequency energy and, if not installed and used in accordance with the instruction manual, may cause harmful interference to radio communications. Operation of this equipment in a residential area is likely to cause harmful interference in which case the user will be required to correct the interference at their expense.

Shielded Cables



Connections between the system and its peripherals must be made using shielded cables in order to maintain compliance with FCC radio frequency emission limits.

Caution!

Modifications



Any modifications made to this device that are not approved by Tintometer may void the authority granted to the user by the FCC to operate this equipment.

Caution!

DOC Class A Notice - Avis DOC, Class A

This Class A digital apparatus meets all requirements of the Canadian Interference-Causing Equipment Regulations.

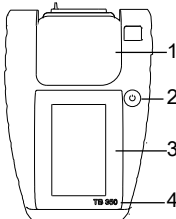
2.3 Features

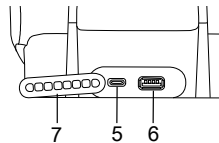
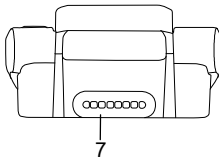
Laboratory accuracy meets portability

The Lovibond® TB Series eliminates the complexities in turbidity measurement. This new technology provides the highest level of accuracy, operational and regulatory efficiencies.

- Touchscreen interface for ease of operation
- Guided routine procedures to eliminate errors
- Straightforward data management protocols to ensure data integrity

2.4 Instrument view

Position	Description	Function
 1	1. Lid	When lifted, allows the user to place the sample cell in the instrument for a reading.
2	2. Power button	Powers the instrument ON and OFF.
3	3. Touch Screen	Displays the user interface of the instrument.
4	4. Model Number	Identifies instrument version.

Position	Description	Function
	<p>5. USB-C Port</p> <p>6. USB-A Port</p>	<p>Supplies power to the instrument from an external source or will re-charge the battery pack accessory (if installed).</p> <p>Supports external USB-A device for functions such as data transfer or backups.</p>
	7. Plug	Used to cover USB-C and USB ports when connections are not in use.

EN

3 Commissioning

3.1 Operating environment

The instrument can be used in any indoor or outdoor environment that is deemed safe for an operator to perform the analysis.

The instrument can accept aqueous samples from 0 to 70 °C.

The instrument should be level $\pm 15^\circ$ when performing a measurement.

The instrument should be placed on a level surface to achieve the best measurement performance.

EN

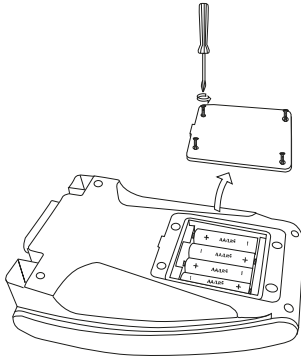
3.2 Contents of delivery

Inspect items to ensure no damage has occurred during shipment. If there is damage or something is missing, please contact local distributor immediately.

TB	350 IR	350 WL
Instrument	X	X
Silicone Oil, 15 ml	X	X
Microfiber Cloth	X	X
2 x Sample Cells	X	X
Screwdriver	X	X
Brush	X	X
Case with insert	X	X
Quick Start Guide	X	X
Certificate of Conformity	X	X
Warranty Booklet	X	X
4 x AA Batteries	X	X
Rechargeable Battery Pack		
USB-C Cable		
AC Power Supply		
Adapter for US, UK and EU Plugs		
T-CAL [®] Standard, 5 NTU	X	X
T-CAL [®] Standard, 20 NTU	X	X
T-CAL [®] Standard, 800 NTU	X	X
T-CAL [®] Standard, 2000 NTU		X
T-CAL [®] Standard, 4000 NTU	X	X

3.3 Inserting and replacing the batteries

When using batteries



EN

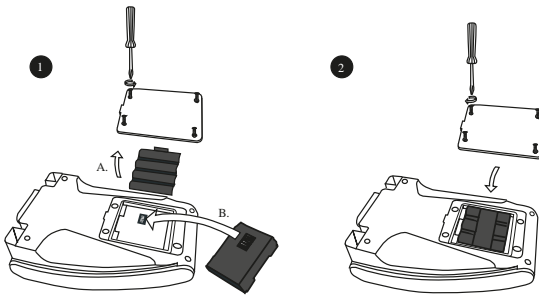
Step	Description
1	Use a screwdriver to remove the four screws on the back of the instrument and remove the panel.
2	Insert four AA batteries in the correct orientation.
3	Attach the panel back onto the instrument.



Caution!

- Only use the approved type: alkaline manganese battery, LR6, with 1.5V voltage.
- Remove empty batteries from the unit as soon as possible.
- If the unit is not used for a long time, remove the batteries from the unit.

When using rechargeable battery packs



Step	Description
1	Use a screwdriver to remove the four screws on the back of the instrument, remove the panel and the battery tray.
2	Insert the rechargeable battery pack in the correct orientation.
3	Attach the panel back onto the instrument.



Warning!

The rechargeable battery pack (19820-011) is only compatible with instruments with the serial number 23041000 and higher.

Using the battery pack for instruments with serial numbers prior to 23041000 may cause the device to overheat during charging.

This overheating can lead to incorrect readings and damage to the device and must therefore be avoided.

For devices with serial numbers prior to 23041000, please contact Lovibond® for details on the use of this accessory.

4 Operation

4.1 First start up



1. Welcome Screen

Initial screen user sees upon first power on.
Press > button



2. Select Language

Select desired language to set.
Press > button



3. Set Date and Time

Choose between 12- and 24-hour format.
Change values using up and down arrows.
Press > button



4. Password

Set a user-selected password to implement security features on instrument.
Press save button.
If no password is desired, select "Skip".
Press > button



5. Default Units

Select desired unit type to set.
Press > button



6. Contact Details

Enter instrument owner information.
Press save button.
If no details are desired, select "Skip".
Press > button



7. Summary Screen


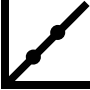


Review of initial setting.
Press < to change setting before proceeding.
Press > to proceed with the Home Screen.
User can select task to perform with instrument.

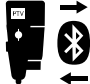

4.2 List of control elements and their function

4.2.1 Display Overview



Description	Function
1 Status Bar	Displays the icons and labels that are universal including Time, Bluetooth®, USB, Security, Light Source & Power.
2 Action Area	Area that displays application steps and interaction.
3 Home Bar	Used primarily for navigation, to start or save or dismiss actions & return Home.

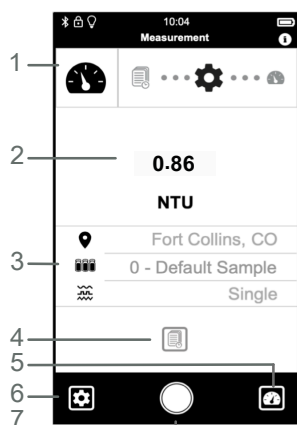
Icon	Description
	Measurement Mode
	Calibration Mode
	Verification Mode
	Data Logs

Icon	Description
	Bluetooth connection to PTV process turbidimeter (not available for TB 350)
	Instrument settings

EN

4.3 Measurement

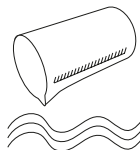
4.3.1 Measurement Overview



Description	Function
1 Application Bar	Navigation path to help the user through the process steps.
2 Measurement Value	Display of measured sample value with unit type.
3 Settings	Settings applied to measurement are displayed.
4 Log Button	Creates a Log when pressed.
5 Measurement Button	Starts a measurement when pressed.
6 Settings Button	Used to change settings.
7 Home Button	Returns user to home screen.

4.3.2 Performing a Measurement

Please prepare the sample cells included in the scope of delivery before measurement. Make sure that the sample cells are free of stains, scratches or blemishes.



1. Collect sample

Ensure sample is representative (well mixed).
Glassware should be free of stains, scratches or other blemishes.

Rinse collection vessel at least two times with sample prior to sample collection.



2. Prepare sample cell

Using a lint free cloth, dry the exterior of the sample vial.

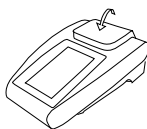
Use silicone oil to minimize stray light reflections.



3. Insert vial into instrument

Ensure sample is bubble free.

Invert slowly to mix. Do not shake.



4. Close lid

Measurement will not be allowed without lid in place.



5. Check settings

Ensure the measurement settings are correct.

Settings for measurement cannot be changed after measurement occurs.



6. Press measure button

Starts Measurement.



7. Data Log

Enter Data Log to save measurement.



8. Save measurement

If desired, press Save Button in order to create a measurement log



9. Pause

Pauses the measurement in "continuous" measurement mode.

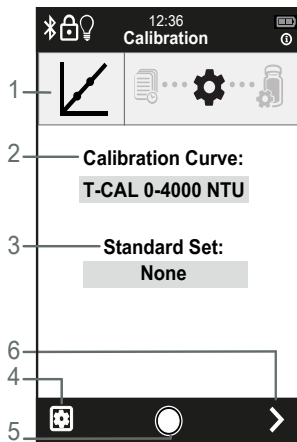


- Do not bring any objects into the measuring chamber except the cuvettes intended for the measurements.
- Do not bring any liquids into the chamber.

Warning!

4.4 Calibration

4.4.1 Calibration Overview

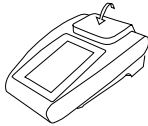


Description	Function
1 Application Bar	Breadcrumb to help the user through the process steps.
2 Calibration Curve	Specifies calibration type.
3 Standard Set	Unique identifier of standard set.
4 Settings Button	Used to change settings.
5 Home Button	Returns user to home screen.
6 Next Button	Progress to next screen.

4.4.2 Performing a Calibration

Please prepare the T-CAL® standards included in the scope of delivery before calibration. Make sure that the T-CAL® vials are free of stains, scratches or blemishes.

- T-CAL® standards for TB 350 IR: 20 / 800 / 4000 NTU
- T-CAL® standards for TB 350 WL: 20 / 800 / 2000 / 4000 NTU



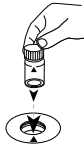
1. Zero Adjustment:

Sets zero standard.



2. Prepare Vial:

Oil sample vial if necessary.



3. Insert Standard:

Insert standard value specified on screen.

User will insert series of various turbidity standards to complete calibration.



4. Modal:

Represents active process.



5. Log Summary:

Press Save Button to save log.

Press Cancel Button to return to beginning of calibration process.

5 Maintenance

5.1 Recommended maintenance schedule

Task	Do	Do not
1. Clean measurement chamber	1. Ensure the measurement chamber is clean and dry prior to measurement. Use a dry microfiber cloth to remove impurities.	1. Spray or pour any fluid directly into the measurement chamber.
2. Clean instrument display	2. Wipe touchscreen with a dry or slightly damp microfiber cloth.	2. Measure a sample that is not tightly capped.
Clean exterior housing	Clean the outer housing with a mild detergent solution or diluted alcohol.	
Sample Cell Storage & Care	Always rinse vials with turbidity-free water after use.	Use excessive silicone oil that has not been wiped from the vial. A single bead is all that is necessary.
	Fill vial with DI water. Cap vial to prevent formation of water spots.	Leave sample cells uncapped to air dry.
	Wipe outside of vial dry with a microfiber cloth.	Use any vial that has visible imperfections, including pits, scratches, or cracks.
Battery Replacement	It is suggested to remove batteries if instrument is stored for more than 30 days to prevent battery leakage.	Use unspecified type of battery.
Calibration	Calibrate as needed under the following conditions: <ol style="list-style-type: none"> 1. Verification failure. 2. Maintenance of optical or electronic systems are performed. 3. As required by regional regulatory authorities. 	Use expired standards.
	Carefully follow the instructions preparation and use of standards.	

Task	Do	Do not
Verification	Verify instrument performance under the following conditions: <ol style="list-style-type: none"> 1. After performing a calibration. 2. Per internal quality control procedures. 3. As required by regional regulatory authorities. 	Use expired standards.
	Carefully follow the instructions for preparation and use of standards.	
Connectors	Ensure connector plugs are in place when not in a laboratory environment.	Store instrument without connector plugs in place. Transport or support instrument via a connector cable.

**Warning!**

Improper handling of certain reagents can cause damage to your health. In any case follow the safety labels on the packing, the safety instructions of the package insert and available SDS. Protective measures specified there have to be followed exactly.

6 Troubleshooting

6.1 Error messages and what to do

Symptom	Possible Cause	Solution
Overrange	The turbidity of the sample is beyond the measuring range of the instrument.	<ul style="list-style-type: none"> Dilute the sample Verify calibration using a high-range standard.
Under range	The turbidity of the sample is below the detection limit of the instrument	<ul style="list-style-type: none"> Repeat the stray light measurement (zero adjustment) as instructed ensuring the sample lid is closed. Repeat the calibration after the stray light was determined.
Instrument does not turn on	Batteries are defective Batteries are not inserted correctly	<ul style="list-style-type: none"> Replace batteries with a complete new set.
"Save" button for a function does not appear, so a log cannot be created.	Required information is missing	Ensure that the user initials and all other required fields are properly addressed.
Instrument will not take a measurement	Lid is not closed	Close the lid.
Low battery notification	Battery is below 20%	Replace or recharge batteries
Instrument settings cannot be accessed by user	Instrument security protocol is in place	Enter the password to unlock settings and calibration functions
Calibration Error	Sample vials were not cleaned prior to calibration	<ul style="list-style-type: none"> Re-wash sample vials using the procedure in the manual. Store vials as prescribed in the manual. Check expiration date of standard
Calibration Error	Calibration standards were ran in the wrong order	Repeat calibration with standards run from lowest to highest value.

Symptom	Possible Cause	Solution
Calibration Error	Calibration standards were not adequately mixed.	Mix standards as instructed immediately prior to performing the calibration.
Calibration Error	Calibration Standards prepared to wrong turbidity values	Repeat preparation of calibration standards, making sure dilutions are correct.
Verification Error	Verification falls outside the Error boundaries	<ul style="list-style-type: none"> • Mix the verification standard prior to verification. • Check pass/fail criteria to ensure the criteria is not tighter than the accuracy of the standard and adjust these criteria accordingly. • Check expiration date of standard

7 Accessories & Replacement parts

7.1 List of Accessories

Title		Part Number
Batteries (AA), set of 4	TB350 IR, TB350 WL	1950025
Brush, 11 cm length	TB350 IR, TB350 WL	380230
Cleaning cloth	TB350 IR, TB350 WL	197635
Cuvette stand for 6 round cuvettes Ø 24 mm	TB350 IR, TB350 WL	418951
Power supply TB series	TB350 IR, TB350 WL	19820-170
Rechargeable battery pack, Ni-MH	TB350 IR, TB350 WL	19820-011
Sample cuvettes with black lid, Height 55 mm, ø 24 mm, set of 12	TB350 IR, TB350 WL	197655
Set turbidity standards T-CAL (5, 20, 800, 2000, 4000 NTU)	TB350 WL	194152
Set turbidity standards T-CAL (5, 20, 800, 4000 NTU)	TB350 IR	194154
Silicon oil	TB350 IR, TB350 WL	194295
T-CAL®-Standard, 4000 NTU, 125 ml	TB350 IR, TB350 WL	48012912
T-CAL®-Standard, 4000 NTU, 500 ml	TB350 IR, TB350 WL	48012950
USB-C cable 1 m, USB-C to A	TB350 IR, TB350 WL	19820-081

7.2 Replacement Parts

Description	Part Number
Carrying Case	19820-130
Lid, sample chamber	19820-095
Cover, Battery compartment	19820-098
Plug, Elastomeric, IP67, I/O	19820-084
Insert for 4 AA batteries	19820-012

8 Specifications

Model	Model WM-040-1004 (IR) Model WM-040-1001 (WL)
Light Source	IR LED (860 nm) White LED
Regulatory Compliance	ISO 7027 EPA approved (alternative to US EPA 180.1)
Measuring Principle	Nephelometric (Multipath 90° BLAC)
Measuring Range	0.01 - 4000 NTU (FNU)
Resolution	Auto ranging: 0.01-9.99: 0.01 NTU ; 10.0-99.9: 0.1 NTU ; 100-4000: 1 NTU
Accuracy	± 1.8 % of reading + straylight
Repeatability	< 1 % or ± 0.01 NTU
Stray Light	< 0.014 NTU
Display Units	NTU, FNU, Degrees, mg/L Kaolin, mg/L PSL
Response Time	7 seconds
Reading Modes	Single, Signal Averaging, Fast-Settling
Calibration Options	Full-range calibration from 0 - 4000 NTU
Detector	Silicon Photodiode
Ratio Mode	Yes
Sample Required	10 mL (0.4 oz)
Display	Full-Colour Touchscreen
Display Size	55 x 95 mm (W x H)
Interfaces	<ul style="list-style-type: none"> • USB-A • USB-C
Data Logger	250 measurements, all calibrations, verifications and factory-restore actions
Data Transfer Format	.csv
Power Save Mode	Yes
Auto – OFF	Selectable

Power Supply	<ul style="list-style-type: none"> • 3 NiMH-battery pack (AA) • 4 batteries (AA) • Universal (90 - 240 VAC), via external power supply
Environmental Conditions	<p>Temperature: 0 - 50 °C (32 - 122 °F)</p> <p>Humidity: 0 - 90 % at 30 °C, noncondensing</p> <p>Humidity: 0 - 80 % at 40 °C, noncondensing</p> <p>Humidity: 0 - 70 % at 60 °C, noncondensing</p>
Protection Class	IP 67 (Instrument)
Compliance	<ul style="list-style-type: none"> • CE • CSA • FCC A • RoHS • TÜV • UL • WEE
Languages User Interface	<ul style="list-style-type: none"> • Chinese • Dutch • English • French • German • Japanese • Polish • Portuguese • Spanish • Turkish
Languages Quick Start Guide	<ul style="list-style-type: none"> • Chinese • Dutch • English • French • German • Italian • Portuguese • Russian • Spanish • Turkish

Languages Full User Manual	<ul style="list-style-type: none"> • Chinese • Dutch • English • French • German • Italian • Portuguese • Russian • Spanish • Turkish
Dimensions	155 x 83 x 225 mm
Weight	804 g (898 g with four AA alkaline batteries)
Weight with Packaging	(898 g with four AA alkaline batteries)

**Caution!**

Subject to technical modification!
To ensure maximum accuracy of test results, always use the reagent systems supplied by the instrument manufacturer.

8.1 Specifications - Mains adapter

Type	WR9QA2500USB52NMR6B
Design	Mains adapter plug, switching power supply
Input voltage, frequency	100 – 240 V \pm 10 %, 50 / 60 Hz \pm 5 %
Input current	0.3 A
Primary adapter	Europe, UK, Australia, USA
Protection class	II
Output voltage, frequency	5.2 V, DC
Max. output current	2.5 A
Output protection	Output shut down and auto restart
Environmental conditions	0 °C to 40 °C, with max. 95 % relative air humidity
Energy efficiency class	VI
Safety standard	EN 62368
EMC	EN 55032 FCC Part 15 Class A EN 55024
Dimensions [mm]	31.5 x 41 x 71 (without primary adapter)
Weight, with EU adapter	48 g (without primary adapter blades)

Type **WR9QA2500USB52NMR6B**

Approval, EMC CE, FCC

Permitted altitude meters 5000 m

Pollution level 2

**Caution!**

Subject to technical modification!
To ensure maximum accuracy of test results, always use the reagent systems supplied by the instrument manufacturer.

EN

9 Appendix

9.1 List of Trademarks

Lovibond®, Tintometer® and T-CAL® are registered trademarks of the Tintometer group of companies. All translations and transliterations of Lovibond® and Tintometer® are asserted as trademarks of The Tintometer® Group.

The Bluetooth® mark, figure mark and combination mark are trademarks owned by the Bluetooth SIG and any use by the Tintometer® Group is under license.

1 Introduction

1.1 Informations générales

1.1.1 Lire les instructions avant l'utilisation

Ce manuel fournit des informations importantes sur un fonctionnement adéquat du produit en toute sécurité. Veuillez lire attentivement ce manuel et vous familiariser avec le produit avant de l'utiliser.

FR

1.1.2 Objet du produit

Le turbidimètre portable de la série TB est conçu pour analyser des échantillons aqueux qui sont recueillis dans des cuvettes en verre puis scellés. La cuvette est préparée pour la mesure en utilisant une technique minutieuse pour minimiser les interférences de la poussière et des rayures. Après la préparation, la cuvette est placée dans l'instrument pour la mesure.

L'instrument peut être utilisé en laboratoire ou emmené sur le terrain pour effectuer des mesures sur des échantillons au fur et à mesure de leur collecte.

Il convient d'être prudent lors du transport de ce turbidimètre. Si l'instrument est emporté sur le terrain, il faut utiliser la mallette de transport. Si l'instrument doit être utilisé pour des applications réglementaires, il est conseillé de contacter les autorités locales pour s'assurer que le modèle d'instrument correct est sélectionné.

1.1.3 Utilisation autorisée

La responsabilité et la garantie du fabricant pour les dommages sont annulées en cas d'utilisation inappropriée, de non-respect de ce manuel, d'utilisation par du personnel non qualifié ou de modifications non autorisées du produit.

Le fabricant n'est pas responsable des coûts ou des dommages causés par l'utilisateur ou des tiers en raison de l'utilisation de ce produit, en particulier en cas d'utilisation inappropriée du produit ou de mauvaise utilisation, de défauts de connexion du produit. Le fabricant n'assume aucune responsabilité pour les erreurs d'impression.

1.1.4 Exigences pour une utilisation sûre

Notez les points suivants pour une utilisation sûre de l'appareil :

- Si l'appareil est utilisé d'une façon qui n'est pas spécifiée par le fabricant, la protection assurée par l'appareil peut être compromise.
- Le produit ne doit être utilisé que conformément à l'utilisation autorisée spécifiée ci-dessus.
- Le produit doit être alimenté uniquement par les sources d'alimentation mentionnées dans ce manuel d'utilisation.
- Le produit ne doit être utilisé que dans les conditions environnementales mentionnées dans ce manuel d'utilisation.
- Le produit ne doit pas être ouvert ou modifié.

Le produit ne doit pas être utilisé si :

- il est visiblement endommagé (par exemple, après avoir été transporté)
- il a été stocké dans des conditions défavorables pendant une longue période (conditions de stockage, voir chapitre "Spécifications")

Conditions pour une utilisation sûre du bloc d'alimentation

Respectez les points suivants pour une utilisation en toute sécurité :

- Avant la mise en service, vérifier l'absence de dommages visibles. En cas de dommage, ne pas mettre en service.
- Utiliser uniquement dans des locaux secs.
- Ne manipuler qu'avec des mains sèches.
- Seule l'alimentation recommandée par le fabricant peut être utilisée.
- Le produit ne doit pas être ouvert ou modifié.
- Seul le câble USB-C recommandé par le fabricant peut être utilisé pour alimenter l'appareil.

FR

1.1.5 Gardez les instructions

Le manuel doit être conservé à proximité du produit afin que vous puissiez toujours trouver les informations dont vous avez besoin.

1.1.6 Qualification des utilisateurs

Le personnel d'exploitation doit être capable de comprendre et d'appliquer correctement les étiquettes et les consignes de sécurité figurant sur les emballages et les notices des produits.

L'utilisateur doit être capable, apte à lire et comprendre ce manuel afin de se familiariser avec la manipulation et d'assurer une utilisation sûre.

1.1.7 Manipulation de produits chimiques dangereux

Des risques chimiques et/ou biologiques peuvent exister là où ce produit est utilisé. Respectez toutes les lois, réglementations et protocoles en vigueur lors de l'utilisation de ce produit.

Pour le développement de ses produits, Lovibond accorde une attention particulière à la sécurité. Certains risques liés à des substances dangereuses ne peuvent être évités. En cas d'utilisation de tests ou de solutions produits par l'entreprise elle-même, la responsabilité de tout risque causé par ces tests ou solutions incombe à l'utilisateur (responsabilité personnelle).

Pour votre propre protection, pour les normes de turbidité supérieures à 5 NTU, le port de gants ou de lunettes de protection est recommandé. Respectez la fiche de données de sécurité correspondante.

Les fiches de données de sécurité des produits chimiques comprennent toutes les instructions relatives à la sécurité de la manipulation, aux risques encourus, aux actions préventives et aux mesures à prendre dans les situations dangereuses.

1.1.8 Instructions pour la disposition du produit

Mettez les batteries et l'équipement électrique au rebut dans une installation appropriée, conformément à la législation locale.

Il est illégal de jeter les piles avec les déchets ménagers.
 Au sein de l'Union européenne, à la fin de la vie de l'appareil, les piles sont éliminées dans un point de collecte de recyclage spécialisé.



Les instruments marqués de ce symbole ne doivent pas être jetés avec les déchets domestiques normaux.

FR

1.2 Liste de tous les caractères utilisés dans le document

Les symboles suivants sont utilisés dans ce manuel pour indiquer les sections qui nécessitent une attention particulière :



Danger!

Il existe un danger qui entraînera la mort ou des blessures graves s'il n'est pas évité !



Avertissement !

La manipulation incorrecte de certains réactifs peut nuire à votre santé. Dans tous les cas, suivez les informations figurant sur les étiquettes de sécurité de l'emballage, les consignes de sécurité de la notice et la fiche de données de sécurité disponible. Les mesures de protection qui y sont spécifiées doivent être suivies à la lettre.



Attention!

Il existe un danger qui peut entraîner des blessures mineures ou modérées.

1.3 Abréviations

Abréviations	Définition
NTU	Nephelometric Turbidity Unit
FNU	Formazin Nephelometric Units
mg/l	Milligramme par litre

2 Aperçu du produit

2.1 Guide des symboles

Les étiquettes apposées sur le produit doivent être strictement respectées pour éviter toute blessure ou tout dommage au produit. Reportez-vous à ce chapitre pour obtenir des informations sur la nature du danger ou du risque avant d'entreprendre toute action en présence d'une telle étiquette.



Pour les utilisateurs professionnels de l'Union européenne :

Si vous souhaitez mettre au rebut des équipements électriques et électroniques (EEE), veuillez contacter votre revendeur ou votre fournisseur pour plus d'informations.

Pour la mise au rebut dans les pays hors de l'Union européenne :

Ce symbole est uniquement valable dans l'Union européenne (UE). Si vous souhaitez mettre ce produit au rebut, veuillez contacter les autorités locales ou votre revendeur et demander la méthode d'élimination appropriée.

FR

2.2 Certification

EMC Émissions conduites et rayonnées	CISPR 11 (Limites de la classe A)	Marque CE
Immunité EMC	EN 61326-1 (Limites industrielles)	Marque CE
Sécurité	EN 61010-1	Marque de sécurité TÜV
FCC	FCC Classe A	Marque FCC

Avis de la FCC Classe A

Cet appareil est conforme à la partie 15 des règles de la FCC. Son fonctionnement est soumis aux deux conditions suivantes :

- Cet appareil ne doit pas causer d'interférences nuisibles.
- Cet appareil doit accepter toute interférence reçue, y compris les interférences susceptibles de provoquer un fonctionnement indésirable.

Remarque : Cet équipement a été testé et déclaré conforme aux limites d'un appareil numérique de classe A, conformément à la partie 15 des règles de la FCC. Ces limites sont conçues pour fournir une protection raisonnable contre les interférences nuisibles lorsque l'équipement est utilisé dans un environnement commercial. Cet équipement génère, utilise et peut émettre de l'énergie de fréquence radio et, s'il n'est pas installé et utilisé conformément au manuel d'instructions, peut causer des interférences nuisibles aux communications radio. L'utilisation de cet équipement dans une zone résidentielle est susceptible de provoquer des interférences nuisibles, auquel cas l'utilisateur devra corriger ces interférences à ses frais.

Câbles blindés



Les connexions entre le système et ses périphériques doivent être effectuées à l'aide de câbles blindés afin de maintenir la conformité aux limites d'émission de fréquences radio de la FCC.

Attention!

FR

Modifications



Toute modification apportée à cet appareil qui n'est pas approuvée par Tintometer peut annuler l'autorisation accordée à l'utilisateur par la FCC d'utiliser cet équipement.

Attention!

DOC Class A Notice - Avis DOC, Class A

Cet appareil numérique de classe A satisfait à toutes les exigences de la norme canadienne sur les interférences.

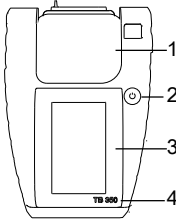
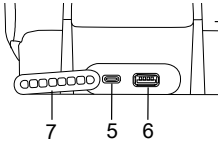
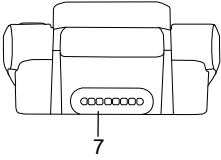
2.3 Fonctionnalités

La précision du laboratoire et la portabilité

La série Lovibond® TB élimine les complexités de la mesure de la turbidité. Cette nouvelle technologie offre le plus haut niveau de précision et d'efficacité opérationnelle et réglementaire.

- Interface à écran tactile pour une utilisation facile
- Des instructions illustrées pour guider l'utilisateur dans les étapes du processus et éviter les erreurs.
- Des protocoles simples de gestion des données pour garantir leur intégrité

2.4 Vue des instruments

Position	Description	Fonction
	1. Couvercle	Lorsqu'il est soulevé, il permet à l'utilisateur de placer la cellule d'échantillon dans l'instrument pour une lecture.
	2. Bouton d'alimentation	Met l'instrument sous tension et hors tension.
	3. Écran tactile	Affiche l'interface utilisateur de l'instrument.
	4. Modèle	Identifie la version de l'instrument.
	5. Port USB-C	Permet d'alimenter l'instrument à partir d'une source externe ou de recharger la batterie accessoire (si elle est installée).
	6. Port USB-A	Prend en charge un périphérique USB-A externe pour des fonctions telles que le transfert de données ou les sauvegardes.
	7. Joint	Utilisé pour couvrir les ports USB lorsque les connexions ne sont pas utilisées.

3 Mise en service

3.1 Environnement opérationnel

L'instrument peut être utilisé dans tout environnement intérieur ou extérieur jugé sûr pour qu'un opérateur puisse effectuer l'analyse.

L'instrument peut accepter des échantillons aqueux de 0 à 70 °C.

L'instrument doit être à niveau $\pm 15^\circ$ lorsqu'il effectue une mesure.

L'instrument doit être placé sur une surface plane pour obtenir les meilleures performances de mesure.

FR

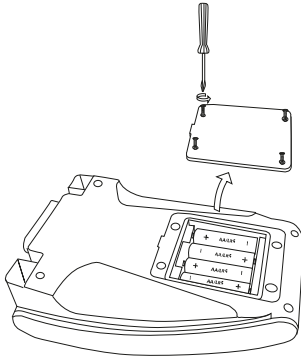
3.2 Contenu de la livraison

Inspectez soigneusement tous les articles pour vous assurer que chaque partie de la liste ci-dessous est présente et qu'aucun dommage visible n'est survenu pendant l'expédition. S'il y a des dommages ou si quelque chose manque, veuillez contacter immédiatement votre distributeur local.

TB	350 IR	350 WL
Instrument	X	X
Huile de silicone, 15 ml	X	X
Tissu en microfibre	X	X
2 x cuvettes d'échantillon	X	X
Tournevis	X	X
Brosse	X	X
Mallette avec insert	X	X
Guide rapide	X	X
Déclaration de conformité	X	X
Déclaration de garantie	X	X
4 piles AA	X	X
Bloc de piles rechargeables		
Câble USB-C		
Unité d'alimentation en courant alternatif		
Adaptateur pour les prises américaines, britanniques et européennes		
T-CAL® Standard, 5 NTU	X	X
T-CAL® Standard, 20 NTU	X	X
T-CAL® Standard, 800 NTU	X	X
T-CAL® Standard, 2000 NTU		X
T-CAL® Standard, 4000 NTU	X	X

3.3 Insertion et remplacement des piles

Lors de l'utilisation de piles



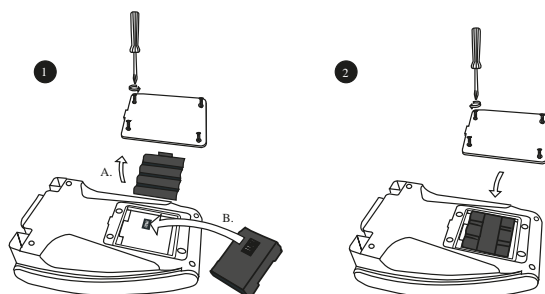
Étape	Description
1	À l'aide d'un tournevis, retirez les quatre vis situées à l'arrière de l'instrument et retirez le panneau.
2	Insérez quatre piles AA en les orientant correctement.
3	Remettez le panneau en place sur l'instrument.



Attention !

- N'utilisez que le type homologué : pile alcaline au manganèse, LR6, avec une tension de 1,5 V.
- Retirez les piles vides de l'appareil dès que possible.
- Si l'appareil n'est pas utilisé pendant une longue période, retirez les piles de l'appareil.

En cas d'utilisation des blocs des piles rechargeable



FR

Étape	Description
1	À l'aide d'un tournevis, retirez les quatre vis situées à l'arrière de l'instrument, puis retirez le panneau et le bac à piles.
2	Insérez le bloc de piles rechargeables dans le bon sens.
3	Remettez le panneau en place sur l'instrument.



Avertissement !

Le bloc de piles rechargeable (19820-011) n'est compatible qu'avec les instruments portant le numéro de série 23041000 et plus.

L'utilisation de la batterie pour des instruments dont le numéro de série est antérieur à 23041000 peut entraîner une surchauffe de l'appareil pendant la charge.

Cette surchauffe peut entraîner des lectures incorrectes et endommager l'appareil et doit donc être évitée.

Pour les instruments dont le numéro de série est inférieur à 23041000, veuillez contacter Lovibond® pour obtenir des détails sur l'utilisation de cet accessoire.

4 Opération

4.1 Premier démarrage



1. Écran de bienvenue

Écran initial que l'utilisateur voit lors de la première mise sous tension.
Appuyez sur le bouton >



2. Sélectionner la langue

Sélectionnez la langue souhaitée pour le réglage.
Appuyez sur la touche >



3. Régler la date et l'heure

Choisissez entre le format 12 et 24 heures.
Modifier les valeurs à l'aide des flèches haut et bas.
Appuyez sur la touche >



4. Mot de passe

Définissez un mot de passe choisi par l'utilisateur pour mettre en œuvre les fonctions de sécurité de l'instrument.
Appuyez sur le bouton de sauvegarde.
Si aucun mot de passe n'est souhaité, sélectionnez "Sauter".
Appuyez sur la touche >



5. Unités par défaut

Sélectionnez le type d'unité désiré pour définir.
Appuyez sur la touche >



6. Détails du contact

Saisissez les informations relatives au propriétaire de l'instrument.
Appuyez sur le bouton de sauvegarde.
Si aucun détail n'est souhaité, sélectionnez "Sauter".
Appuyez sur la touche >



7. Écran récapitulatif

Révision de la configuration initiale.
Appuyez sur < pour modifier les paramètres avant de poursuivre.
Appuyez sur > pour passer à l'écran d'accueil.
L'utilisateur peut sélectionner la tâche à effectuer avec l'instrument.





4.2 Liste des éléments de contrôle et leur fonction

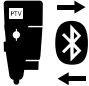

4.2.1 Aperçu de l'affichage



FR

Description	Fonction
1 Barre d'état	Affiche les icônes et les étiquettes qui sont universelles, notamment Heure, Bluetooth®, USB, Sécurité, Source de lumière et Alimentation.
2 Zone d'action	Zone qui affiche les étapes de l'application et l'interaction.
3 Bouton d'accueil	Utilisé principalement pour la navigation, pour lancer ou sauvegarder ou annuler des actions et revenir à la maison.

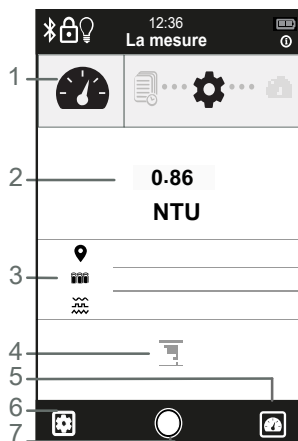
Icône	Description
	Mode de mesure
	Mode Calibrage
	Mode Vérification
	Enregistrements de données

Icône	Description
	Connexion Bluetooth au turbidimètre de process PTV (non disponible pour TB 350)
	Paramètres de l'instrument

FR

4.3 La mesure

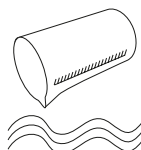
4.3.1 Aperçu des mesures



Description	Fonction
1 Barre d'application	Un fil d'Ariane pour aider l'utilisateur à parcourir les étapes du processus.
2 Valeur de la mesure	Affichage de la valeur mesurée de l'échantillon avec le type d'unité.
3 Paramètres	Les paramètres appliqués à la mesure sont affichés.
4 Bouton "Log" (journal)	Crée un journal lorsqu'on appuie dessus.
5 Bouton de mesure	Démarre ou Commence ou Initie une mesure lorsqu'on appuie dessus.
6 Bouton des paramètres	Permet de modifier les paramètres.
7 Bouton d'accueil	Retourne l'utilisateur à l'écran d'accueil.

4.3.2 Exécution d'une mesure

Veillez préparer les cellules d'échantillon incluses dans l'étendue de la livraison avant la mesure. Assurez-vous que les cellules d'échantillon sont exemptes de taches, de rayures ou d'imperfections.



1. Prélever l'échantillon

Assurez-vous que l'échantillon est représentatif (bien mélangé). La verrerie doit être exempte de taches, de rayures ou d'autres imperfections.

Rincez le récipient de collecte au moins deux fois avec l'échantillon avant de le prélever.



2. Préparer la cuvette

À l'aide d'un chiffon non pelucheux, sécher l'extérieur de la cuvette à échantillon.

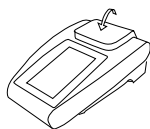
Utilisez de l'huile de silicone pour minimiser les réflexions de lumière parasite.



3. Insérer le cuvette dans l'instrument

S'assurer que l'échantillon est exempt de bulles.

Inverser lentement pour mélanger. Ne pas agiter.



4. Fermer le couvercle

La mesure ne sera pas autorisée si le couvercle n'est pas en place.



5. Vérifier les réglages

Assurez-vous que les paramètres de mesure sont corrects. Les paramètres de mesure ne peuvent pas être modifiés après la prise de mesure.



6. Appuyer sur le bouton de mesure

Lance la mesure.



7. Enregistrements de données

Entrez dans "Enregistrements de données" pour enregistrer les mesures.



8. Enregistrer la mesure

Si vous le souhaitez, appuyez sur le bouton Enregistrer afin de créer un journal des mesures.



9. Pause

Suspend la mesure en mode "continu".



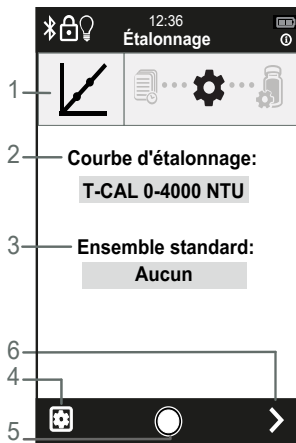
- Ne pas introduire d'objets dans le puits de mesure, à l'exception des cuvettes prévues pour les mesures.
- Ne pas introduire de liquides dans le puits.

Avertissement !

FR

4.4 Étalonnage

4.4.1 Aperçu de l'étalonnage



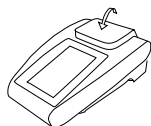
Description	Function
1 Barre d'application	Un fil d'Ariane pour aider l'utilisateur à parcourir les étapes du processus.
2 Courbe d'étalonnage	Spécifie le type d'étalonnage.
3 Ensemble standard	Identifiant unique du jeu de normes.
4 Bouton des paramètres	Permet de modifier les paramètres.
5 Bouton d'accueil	Retourne à l'écran d'accueil.
6 Bouton suivant	Passer à l'écran suivant.

4.4.2 Effectuer un étalonnage

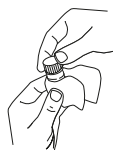
Veillez préparer les étalons T-CAL® inclus dans la livraison avant l'étalonnage. Assurez-vous que les flacons T-CAL® sont exempts de taches, de rayures ou d'imperfections.

- Etalons T-CAL® pour TB 350 IR : 20 / 800 / 4000 NTU
- Etalons T-CAL® pour TB 350 WL : 20 / 800 / 2000 / 4000 NTU

FR



1. Réglage du zéro :
Définit la norme zéro.



2. Préparer la cuvette :
Huiler la cuvette d'échantillon si nécessaire.



3. Insérer la standard :
Insérer la valeur standard spécifiée à l'écran.
L'utilisateur insère une série d'étalons de turbidité différents pour compléter l'étalonnage.



4. Modale:
Représente le processus actif.



5. Résumé du journal :
Appuyez sur le bouton Enregistrer pour sauvegarder le journal.
Appuyez sur le bouton Annuler pour revenir au début du processus d'étalonnage.

5 Maintenance

5.1 Programme d'entretien recommandé

Tâche	Faire	Ne pas faire
1. Nettoyer la chambre de mesure	1. Assurez-vous que la chambre de mesure est propre et sèche avant la mesure. Utilisez un chiffon sec en microfibres pour éliminer les impuretés.	1. Vaporisez ou versez tout liquide directement dans la chambre de mesure.
2. Nettoyer l'écran de l'instrument	2. Essuyez l'écran tactile avec un chiffon en microfibre sec ou légèrement humide.	2. Mesurez un échantillon qui n'est pas hermétiquement fermé.
Nettoyer le boîtier extérieur	Nettoyez le boîtier extérieur avec une solution détergente douce ou de l'alcool dilué.	
Stockage et entretien des cuvettes d'échantillon	Rincez toujours les cuvettes avec de l'eau non trouble après utilisation.	Utilisez l'excès d'huile de silicone qui n'a pas été essuyé du cuvette. Une seule perle suffit.
	Remplir la cuvette avec de l'eau déminéralisée. Boucher le cuvette pour éviter la formation de taches d'eau.	Laissez les cuvette de l'échantillon sans couvercle pour qu'elles sèchent à l'air libre.
	Essuyez l'extérieur du vial avec un chiffon en microfibre.	Utilisez tout cuvette qui présente des imperfections visibles, notamment des piqûres, des rayures ou des fissures.
Remplacement de la batterie	Il est conseillé de retirer les piles si l'instrument est stocké pendant plus de 30 jours afin d'éviter toute fuite des piles.	Utilisez un type de batterie non spécifié.

Tâche	Faire	Ne pas faire
Calibrage	<p>Calibrez au besoin dans les conditions suivantes :</p> <ol style="list-style-type: none"> 1. Échec de la vérification. 2. Une maintenance des systèmes optiques ou électroniques est effectuée. 3. Comme l'exigent les autorités réglementaires régionales. 	Utiliser des normes périmées.
	Suivez attentivement les instructions de préparation et d'utilisation des étalons.	
Vérification	<p>Vérifiez les performances de l'instrument dans les conditions suivantes :</p> <ol style="list-style-type: none"> 1. Après avoir effectué un étalonnage. 2. Selon les procédures internes de contrôle de la qualité. 3. Selon les exigences des autorités réglementaires régionales. 	Utiliser des normes périmées.
	Suivez attentivement les instructions de préparation et d'utilisation des étalons.	
Connecteur / Joint d'étanchéité	Assurez-vous que le joint du connecteur est fixé lorsqu'il n'est pas dans un environnement de laboratoire.	Ne stockez pas l'appareil sans le joint d'étanchéité.
		Transporter ou supporter l'instrument via un câble de connexion.

**Avertissement !**

La manipulation incorrecte de certains réactifs peut nuire à votre santé. Dans tous les cas, suivez les informations figurant sur les étiquettes de sécurité de l'emballage, les consignes de sécurité de la notice et la fiche de données de sécurité disponible. Les mesures de protection qui y sont spécifiées doivent être suivies à la lettre.

6 Dépannage

6.1 Messages d'erreur et mesures à prendre

Symptôme	Cause possible	Solution
Dépassement de gamme	La turbidité de l'échantillon est au-delà de la plage de mesure de l'instrument.	<ul style="list-style-type: none"> Diluer l'échantillon Vérifier l'étalonnage en utilisant un standard à haute gamme.
Sous la gamme	La turbidité de l'échantillon est inférieure à la limite de détection de l'instrument.	<ul style="list-style-type: none"> Répétez la mesure de la lumière diffusée (réglage du zéro) comme prescrit et assurez-vous que le couvercle de l'échantillon est fermé. Répétez l'étalonnage après avoir déterminé la lumière parasite.
L'instrument ne s'allume pas	Les piles sont défectueuses Les piles ne sont pas insérées correctement	<ul style="list-style-type: none"> Remplacez les piles par un jeu complet et neuf.
Le bouton "Enregistrer" d'une fonction n'apparaît pas, ce qui empêche la création d'un journal.	Les informations requises sont manquantes	Assurez-vous que les initiales de l'utilisateur et tous les autres champs obligatoires sont correctement renseignés.
L'instrument ne prend pas de mesure	Le couvercle n'est pas fermé	Fermez le couvercle.
Notification de batterie faible	La batterie est inférieure à 20%.	Remplacer ou recharger les piles
Les réglages de l'instrument ne sont pas accessibles à l'utilisateur	Le protocole de sécurité du dispositif est actif	Saisissez le mot de passe pour déverrouiller les fonctions de réglage et d'étalonnage.
Erreur d'étalonnage	Les flacons d'échantillons n'ont pas été nettoyés avant l'étalonnage.	<ul style="list-style-type: none"> Lavez à nouveau les flacons d'échantillon en suivant la procédure indiquée dans le manuel. Conservez les flacons comme indiqué dans le manuel. Vérifier la date d'expiration de la norme

Symptôme	Cause possible	Solution
Erreur d'étalonnage	Les standards d'étalonnage ont été passés dans le mauvais ordre.	Répétez l'étalonnage avec les étalons en allant de la valeur la plus basse à la plus haute.
Erreur d'étalonnage	Les standards de calibrage n'ont pas été mélangés de manière adéquate.	Mélangez les étalons comme indiqué juste avant d'effectuer l'étalonnage.
Erreur d'étalonnage	Standards d'étalonnage préparés pour des valeurs de turbidité erronées	Répétez la préparation des étalons de calibration, en vous assurant que les dilutions sont correctes.
Erreur de vérification	La vérification sort des limites de l'erreur	<ul style="list-style-type: none"> • Mélanger la norme de vérification avant la vérification. • Vérifier les critères de réussite/échec pour s'assurer que les critères ne sont pas plus stricts que la précision de la norme et ajuster ces critères en conséquence. • Vérifier la date d'expiration de la norme

7 Accessoires et pièces de rechange

7.1 Liste des accessoires

Titre		Code
ASM, 3 Batterie de piles, HR6, AA, Ni-MH	TB 350 IR turbidimètre portable, TB 350 WL turbidimètre portable	19820-011
Bloc d'alimentation serie TB	TB 350 IR turbidimètre portable, TB 350 WL turbidimètre portable	19820-170
Brosse, longueur 11 cm	TB 350 IR turbidimètre portable, TB 350 WL turbidimètre portable	380230
Câble USB-C 1 m, USB-C vers A	TB 350 IR turbidimètre portable, TB 350 WL turbidimètre portable	19820-081
Chiffon de nettoyage	TB 350 IR turbidimètre portable, TB 350 WL turbidimètre portable	197635
Cuves de mesure à couvercle noir, hauteur 55 mm, ø 24 mm, lot de 12	TB 350 IR turbidimètre portable, TB 350 WL turbidimètre portable	197655
Huile de silicone	TB 350 IR turbidimètre portable, TB 350 WL turbidimètre portable	194295
Lot d'étalons de turbidité T-CAL (5, 20, 800, 2000, 4000 NTU)	TB 350 WL turbidimètre portable	194152
Lot d'étalons de turbidité T-CAL (5, 20, 800, 4000 NTU)	TB 350 IR turbidimètre portable	194154

Titre		Code
Piles (AA), lot de 4	TB 350 IR turbidimètre portable, TB 350 WL turbidimètre portable	1950025
Porte-cuves pour 6 cuves rondes Ø 24 mm	TB 350 IR turbidimètre portable, TB 350 WL turbidimètre portable	418951
T-CAL®-Standard, 4000 NTU, 125 ml	TB 350 IR turbidimètre portable, TB 350 WL turbidimètre portable	48012912
T-CAL®-Standard, 4000 NTU, 500 ml	TB 350 IR turbidimètre portable, TB 350 WL turbidimètre portable	48012950

7.2 Pièces de rechange

Description	Numéro d'article
Mallette de transport	19820-130
Couvercle, chambre à échantillon	19820-095
Couvercle, compartiment de la batterie	19820-098
Bouchon, élastomère, IP67, I/O	19820-084
Insert pour 4 piles AA	19820-012

8 Spécifications

Model	Model WM-040-1004 (IR) Model WM-040-1001 (WL)
Source lumineuse	LED infrarouge (860 nm) LED blanche
Conformité réglementaire	ISO 7027 Approuvé par l'EPA (alternative à l'US EPA 180.1)
Principe	Néphélométrie (Multipath 90° BLAC)
Gamme de mesure	0,01 - 4000 NTU (FNU)
Résolution	Autoranging: 0.01-9.99: 0.01 NTU ; 10.0-99.9: 0.1 NTU ; 100-4000: 1 NTU
Précision	± 1,8 % de la lecture + lumière parasite
Répétabilité	< 1 % ou ± 0.01 NTU
Lumière diffusée	< 0.014 NTU
Unité affichée	NTU, FNU, degrés, mg/L Kaolin, mg/L PSL
Temps de réaction	7 secondes
Modes de lecture	Célibataire, Signal moy., Fast-Settling
Options d'étalonnage	Étalonnage de la gamme complète de 0 à 4000 NTU
Détecteur	Photodiode en silicium
Mode Ratio	oui
Volume d'échantillon requis	10 mL (0,4 oz)
Display	Écran tactile en couleur
Taille d'affichage	55 x 95 mm (L x H)
Interfaces	<ul style="list-style-type: none"> • USB-A • USB-C
Data Logger	250 mesures, tous les étalonnages, les vérifications et les rétablissements d'usine
Format de transfert des données	.csv
Mode économie d'énergie	oui
Auto – OFF	Sélectionnable

Alimentation	<ul style="list-style-type: none"> • 3 NiMH-battery pack (AA) • 4 batteries (AA) • Universal (90 - 240 VAC), via external power supply
Conditions environnementales	Température : 0 - 50 °C (32 - 122 °F) Humidité : 0 - 90 % à 30 °C, sans condensation Humidité : 0 - 80 % à 40 °C, sans condensation Humidité : 0 - 70 % à 60 °C, sans condensation
Classe de protection	IP 67 (instrument) -
Conformité	<ul style="list-style-type: none"> • CE • CSA • FCC A • RoHS • TÜV • UL • WEE
Langues interface d'utilisateur	<ul style="list-style-type: none"> • Allemand • Anglais • Chinois • Espagnol • Français • Japonais • Néerlandais • Polonais • Portugais • Turc
Langues Guide de démarrage rapide	<ul style="list-style-type: none"> • Allemand • Anglais • Chinois • Espagnol • Français • Italien • Néerlandais • Portugais • Russe • Turc

Langues Manuel d'utilisateur complet	<ul style="list-style-type: none"> • Allemand • Anglais • Chinois • Espagnol • Français • Italien • Néerlandais • Portugais • Russe • Turc
Dimensions	155 x 83 x 225 mm
Poids	804 g (898 g with four AA alkaline batteries)
Poids avec emballage	(898 g with four AA alkaline batteries)

**Attention!**

Sous réserve de modifications techniques !
 Pour garantir une précision maximale des résultats des tests, utilisez toujours les systèmes de réactifs fournis par le fabricant de l'instrument.

8.1 Spécifications - Adaptateur secteur

Type	WR9QA2500USB52NMR6B
Design	Fiche de l'adaptateur secteur, alimentation à découpage
Tension d'entrée, fréquence	100 – 240 V \pm 10 %, 50 / 60 Hz \pm 5 %
Courant d'entrée	0,3 A
Adaptateur primaire	Europe, Royaume-Uni, Australie, États-Unis
Classe de protection	II
Tension de sortie, fréquence	5,2 V, DC
Courant de sortie max.	2,5 A
Protection de la sortie	Arrêt de la sortie et redémarrage automatique
Conditions environnementales	0 °C à 40 °C, avec max. 95 % d'humidité relative de l'air
Classe d'efficacité énergétique	VI
Norme de sécurité	EN 62368
EMC	EN 55032 FCC Part 15 Class A EN 55024

Type	WR9QA2500USB52NMR6B
Dimensions [mm]	31,5 x 41 x 71 (sans adaptateur primaire)
Poids, avec adaptateur EU	48 g (sans lames d'adaptateur primaire)
Approbation, EMC	CE, FCC
Altitude autorisée mètres	5000 m
Niveau de pollution	2

**Attention!**

Sous réserve de modifications techniques !
Pour garantir une précision maximale des résultats des tests,
utilisez toujours les systèmes de réactifs fournis par le fabricant de
l'instrument.

9 Appendice

9.1 Avis sur les droits d'auteur et les marques de commerce

Lovibond®, Tintometer® et T-CAL® sont des marques déposées du groupe de sociétés Tintometer. Toutes les traductions et translittérations de Lovibond® et Tintometer® sont revendiquées comme des marques commerciales du Tintometer® Group.

La marque Bluetooth®, la marque figurative et la marque combinée sont des marques commerciales appartenant à Bluetooth SIG et toute utilisation par le Tintometer® Group est sous licence.

1 Introducción

1.1 Información general

1.1.1 Leer las instrucciones antes de usar

Este manual proporciona información importante sobre el funcionamiento seguro del producto. Lea atentamente este manual y familiarícese con el producto antes de utilizarlo.

1.1.2 Finalidad del producto

El turbidímetro portátil de la serie TB está diseñado para analizar muestras acuosas que se recogen en cubetas de vidrio y luego se sellan. La cubeta se prepara para la medición utilizando una técnica cuidadosa para minimizar la interferencia del polvo y los arañazos. Después de la preparación, la cubeta se coloca en el instrumento para la medición.

El instrumento puede utilizarse en el laboratorio o llevarse al campo para realizar mediciones en las muestras a medida que se recogen.

Se debe tener cuidado al transportar este turbidímetro. Si el instrumento se lleva al campo, debe utilizarse el estuche de transporte. Si el instrumento se va a utilizar para aplicaciones reguladas, es aconsejable ponerse en contacto con las autoridades locales para asegurarse de que se selecciona el modelo de instrumento correcto.

1.1.3 Uso autorizado

La responsabilidad del fabricante y la garantía sobre daños en el instrumento quedan anuladas en caso de realizar un uso impropio del mismo, ignorar las instrucciones de este manual, el uso del instrumento por parte de personal no cualificado o modificaciones no autorizadas del instrumento.

El fabricante no es responsable por los costes o daños que pueda recibir un tercero o un usuario debido al uso de este producto, especialmente en casos de uso impropio o de defectos en la conexión del mismo.

El fabricante no asume ninguna responsabilidad por errores de imprenta.

1.1.4 Requisitos para un uso seguro

Tenga en cuenta los siguientes puntos para un uso seguro del aparato:

- Si el equipo se utiliza de una manera no especificada por el fabricante, la protección proporcionada por el equipo puede verse afectada.
- El producto sólo puede utilizarse de acuerdo con el uso autorizado especificado anteriormente.
- El producto sólo puede ser alimentado por las fuentes de energía mencionadas en este manual de instrucciones.
- El producto sólo puede utilizarse en las condiciones ambientales mencionadas en este manual de instrucciones.
- El producto no debe abrirse ni modificarse.

El producto no debe utilizarse si:

- está visiblemente dañado (por ejemplo, después de ser transportado)
- se ha almacenado en condiciones adversas durante un largo periodo de tiempo (condiciones de almacenamiento, véase el capítulo "Especificaciones")

Requisitos para el uso seguro de la fuente de alimentación enchufable

Tenga en cuenta los siguientes puntos para un uso seguro:

- Compruebe que no hay daños visibles antes de utilizarlo. Si está dañado, no lo ponga en funcionamiento.
- Utilizar sólo en ambientes secos.
- Manipule el aparato sólo con las manos secas.
- Solo puede utilizarse la fuente de alimentación recomendada por el fabricante.
- El producto no debe abrirse ni modificarse.
- Solo puede utilizarse el cable USB-C recomendado por el fabricante para alimentar el dispositivo.

ES

1.1.5 Conserve las instrucciones

El manual debe guardarse cerca del producto para que siempre pueda encontrar la información que necesita.

1.1.6 Cualificación del usuario

El personal de servicio debe ser capaz de comprender y aplicar correctamente las etiquetas de seguridad y las instrucciones de seguridad que figuran en los envases y los insertos de los productos.

El usuario debe ser capaz y entender este manual para familiarizarse con el manejo y garantizar un uso seguro.

1.1.7 Manipulación de productos químicos peligrosos

Pueden existir riesgos químicos y/o biológicos cuando se utiliza este producto. Respete todas las leyes, reglamentos y protocolos vigentes cuando utilice este producto.

Para el desarrollo de los productos, Lovibond presta mucha atención a la seguridad.

Algunos riesgos derivados de sustancias peligrosas no pueden evitarse. Si se utilizan pruebas o soluciones de producción propia, la responsabilidad relativa a los riesgos causados por dichas pruebas o soluciones recae en el usuario (responsabilidad personal).

Para su propia protección, en el caso de estándares de turbidez superiores a 5 NTU, se recomienda utilizar guantes o gafas de protección. Observe la hoja de datos de seguridad correspondiente.

Las fichas de seguridad de los productos químicos comprenden todas las instrucciones sobre la manipulación segura, los peligros que se presentan, las acciones preventivas y las medidas que se deben tomar en situaciones de peligro.

1.1.8 Instrucciones de eliminación

Elimine las baterías y el equipo eléctrico en una instalación adecuada de acuerdo con la legislación local.

Es ilegal eliminar las pilas con la basura doméstica.

En la Unión Europea, al final de la vida útil del aparato, las pilas se eliminan en un punto de recogida especializado en reciclaje.



Los instrumentos marcados con este símbolo no deben eliminarse con la basura doméstica normal.

1.2 Lista de todos los símbolos utilizados en el documento

Los siguientes símbolos se utilizan en este manual para indicar las secciones que requieren una atención especial:



¡Peligro!

Existe un peligro que provocará la muerte o lesiones graves si no se evita.



¡Atención!

La manipulación incorrecta de ciertos reactivos puede dañar su salud. En cualquier caso, siga la información de las etiquetas de seguridad del envase, las instrucciones de seguridad del prospecto y la hoja de datos de seguridad disponible. Las medidas de protección allí especificadas deben seguirse con exactitud.



¡Precaución!

Existe un peligro que puede provocar lesiones leves o moderadas.

1.3 Abreviaturas

Abreviaturas	Definición
NTU	Unidades Nefelométricas de Turbidez
FNU	Unidades Nefelométricas de Formazina
mg/l	Miligramo por litro

2 Resumen del producto

2.1 Guía de símbolos

Las etiquetas colocadas en el producto deben respetarse estrictamente para evitar daños personales o al producto. Consulte este capítulo para obtener información sobre la naturaleza del peligro o del riesgo antes de emprender cualquier acción cuando dicha etiqueta esté presente.



Para usuarios profesionales de la Unión Europea:

Si desea desechar equipos eléctricos y electrónicos (AEE), póngase en contacto con su distribuidor o proveedor para obtener más información.

Para la eliminación en países fuera de la Unión Europea:

Este símbolo sólo es válido en la Unión Europea (UE). Si desea desechar este producto, póngase en contacto con las autoridades locales o con su distribuidor y pregunte por el método correcto de eliminación.

ES

2.2 Certificación

EMC Emisiones conducidas y radiadas	CISPR 11 (Límites de la clase A)	Marca CE
Inmunidad EMC	EN 61326-1 (Límites industriales)	Marca CE
Seguridad	EN 61010-1	Marca de seguridad TÜV
FCC	FCC clase A	Marca FCC

Aviso de la clase A de la FCC

Este dispositivo cumple con la parte 15 de las normas de la FCC. Su funcionamiento está sujeto a las dos condiciones siguientes:

- Este dispositivo no puede causar interferencias perjudiciales.
- Este dispositivo debe aceptar cualquier interferencia recibida, incluidas las que puedan causar un funcionamiento no deseado.

Nota: Este equipo ha sido probado y se ha comprobado que cumple con los límites de un dispositivo digital de clase A, de acuerdo con la parte 15 de las normas de la FCC. Estos límites están diseñados para proporcionar una protección razonable contra las interferencias perjudiciales cuando el equipo se utiliza en un entorno comercial. Este equipo genera, utiliza y puede irradiar energía de radiofrecuencia y, si no se instala y utiliza de acuerdo con el manual de instrucciones, puede causar interferencias perjudiciales en las comunicaciones por radio. El funcionamiento de este equipo en una zona residencial puede causar interferencias perjudiciales, en cuyo caso el usuario deberá corregir las interferencias a su cargo.

Cables apantallados



Las conexiones entre el sistema y sus periféricos deben realizarse con cables apantallados para mantener el cumplimiento de los límites de emisión de radiofrecuencia de la FCC.

Precaución!

ES

Modificaciones



Cualquier modificación realizada en este dispositivo que no esté aprobada por Tintometer puede anular la autoridad otorgada al usuario por la FCC para operar este equipo.

Precaución!

Aviso de DOC Clase A - Avis DOC, Clase A

Este aparato digital de clase A cumple todos los requisitos de la normativa canadiense sobre equipos causantes de interferencias.

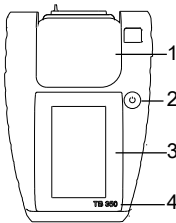
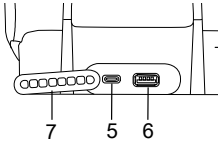
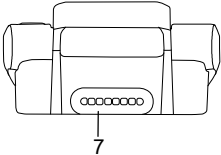
2.3 Características

La precisión del laboratorio se une a la portabilidad

La serie Lovibond® TB elimina las complejidades en la medición de la turbidez. Esta nueva tecnología proporciona el más alto nivel de precisión y eficiencia operativa y normativa.

- Interfaz de pantalla táctil para facilitar el manejo
- Instrucciones con imágenes para guiar al usuario en los pasos del proceso y evitar errores.
- Protocolos sencillos de gestión de datos para garantizar su integridad

2.4 Vista del instrumento

Posición	Descripción	Función
	<p>1. Tapa</p> <p>2. Botón de encendido</p> <p>3. Pantalla táctil</p> <p>4. Número de modelo</p>	<p>Cuando se levanta, permite al usuario colocar la cubeta de muestra en el instrumento para una lectura.</p> <p>Enciende y apaga el instrumento.</p> <p>Muestra la interfaz de usuario del instrumento.</p> <p>Identifica la versión del instrumento.</p>
	<p>5. Puerto USB-C</p> <p>6. Puerto USB-A</p>	<p>Suministra energía al instrumento desde una fuente externa o recarga el accesorio del paquete de baterías (si está instalado).</p> <p>Admite un dispositivo USB-A externo para funciones como la transferencia de datos o las copias de seguridad.</p>
	<p>7. Cubierta</p>	<p>Se utiliza para cubrir los puertos USB cuando las conexiones no están en uso.</p>

3 Puesta en funcionamiento

3.1 Entorno operativo

El instrumento puede utilizarse en cualquier entorno interior o exterior que se considere seguro para que un operador realice el análisis.

El instrumento puede aceptar muestras acuosas de 0 a 70 °C.

El instrumento debe estar nivelado $\pm 15^\circ$ al realizar una medición.

El instrumento debe colocarse en una superficie nivelada para lograr el mejor rendimiento de la medición.

ES

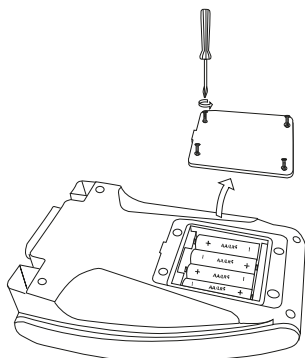
3.2 Contenido de la entrega

Inspeccione cuidadosamente todos los artículos para asegurarse de que todas las partes de la lista de abajo están presentes y que no se ha producido ningún daño visible durante el envío. Si hay algún daño o falta algo, póngase en contacto con su distribuidor local inmediatamente.

TB	350 IR	350 WL
Instrumento	X	X
Aceite de silicona, 15 ml	X	X
Paño de microfibra	X	X
2 x cubetas de muestra	X	X
Destornillador	X	X
Cepillo	X	X
Estuche con inserción	X	X
Guía de inicio rápido	X	X
Certificado de conformidad	X	X
Folleto de la garantía	X	X
4 pilas AA	X	X
Pack de baterías recargables		
Cable USB-C		
Fuente de alimentación de CA		
Adaptador para enchufes de EE.UU., Reino Unido y la UE		
T-CAL® Standard, 5 NTU	X	X
T-CAL® Standard, 20 NTU	X	X
T-CAL® Standard, 800 NTU	X	X
T-CAL® Standard, 2000 NTU		X
T-CAL® Standard, 4000 NTU	X	X

3.3 Colocación y sustitución de las pilas/baterías

Cuando se utilizan baterías



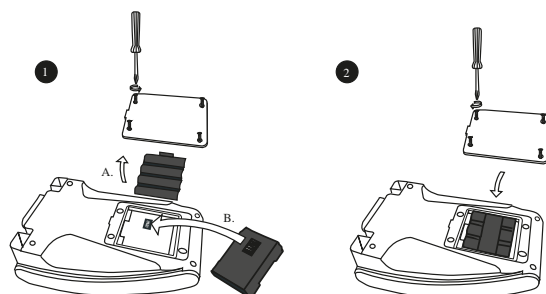
Paso	Descripción
1	Utilice un destornillador para quitar los cuatro tornillos de la parte posterior del instrumento y retire el panel.
2	Inserte cuatro pilas AA en la orientación correcta.
3	Vuelva a colocar el panel en el instrumento.



Precaución

- Utilice únicamente el tipo aprobado: pila alcalina de manganeso, LR6, con una tensión de 1,5V.
- Retire las pilas vacías del aparato lo antes posible.
- Si el aparato no se utiliza durante mucho tiempo, retire las pilas del aparato.

Cuando se utilizan paquete de baterías recargables



ES

Paso	Descripción
1	Utilice un destornillador para quitar los cuatro tornillos de la parte posterior del instrumento, retire el panel y la bandeja de las pilas.
2	Inserte el paquete de baterías recargables en la orientación correcta.
3	Vuelva a colocar el panel en el instrumento.



¡Atención!

El paquete de baterías recargables (19820-011) sólo es compatible con instrumentos con el número de serie 23041000 y superiores.

El uso del paquete de baterías para instrumentos con números de serie anteriores a 23041000 puede provocar el sobrecalentamiento del dispositivo durante la carga. Este sobrecalentamiento puede provocar lecturas incorrectas y daños en el dispositivo, por lo que debe evitarse.

Para instrumentos con número de serie inferior a 23041000, póngase en contacto con Lovibond® para obtener información detallada sobre cómo utilizar este accesorio.

4 Operación

4.1 Primera puesta en marcha



1. Pantalla de bienvenida

Pantalla inicial al encender el instrumento por primera vez
Pulse el botón >



2. Seleccione el idioma

Seleccione el idioma deseado para establecer
Pulse el botón >



3. Establecer la fecha y la hora

Elija entre el formato de 12 y 24 horas.
Modificar los valores con las flechas arriba y abajo.
Pulse el botón >



4. Contraseña

Establezca una contraseña seleccionada por el usuario para implementar funciones de seguridad en el instrumento.
Pulse el botón de guardar.
Si no desea ninguna contraseña, seleccione "Saltar".
Pulse el botón >



5. Unidades por defecto

Seleccione el tipo de unidad que desea establecer.
Pulse el botón >



6. Datos de contacto

Introduzca la información del propietario del instrumento.
Pulse el botón de guardar.
Si no desea ningún detalle, seleccione "Saltar".
Pulse el botón >



7. Pantalla de resumen





Revisión de la configuración inicial.
Pulse < para cambiar la configuración antes de continuar.
Pulse > para continuar con la pantalla de inicio.
El usuario puede seleccionar la tarea a realizar con el instrumento.

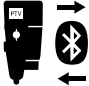

4.2 Lista de elementos de control y su función

4.2.1 Lista de elementos de control y su función



Descripción	Función
1 Barra de estado	Muestra los iconos y etiquetas que son universales, incluyendo Hora, Bluetooth®, USB, Seguridad, Fuente de luz y Alimentación.
2 Área de acción	Área que muestra los pasos de la aplicación y la interacción.
3 Inicio	Se utiliza principalmente para la navegación, para iniciar o guardar o descartar acciones y volver a casa.

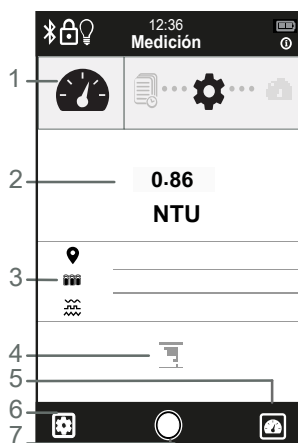
Icono	Descripción
	Modo de medición
	Modo de calibración
	Modo de verificación
	Registros de datos

Icono	Descripción
	Conexión Bluetooth con el turbidímetro de proceso PTV (no disponible para el TB 350)
	Ajustes del instrumento

ES

4.3 Medición

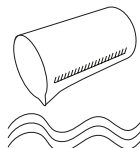
4.3.1 Resumen de mediciones



Descripción	Función
1 Barra de aplicaciones	Ruta de navegación para ayudar al usuario en los pasos del proceso.
2 Valor de medición	Visualización del resultado con la unidad seleccionada.
3 Ajustes	Se muestran los ajustes aplicados a la medición.
4 "Protocol" button	Crea un registro cuando se pulsa.
5 Botón "Medición"	Inicia una medición cuando se pulsa.
6 Botón "Configuración"	Sirve para cambiar los ajustes.
7 Botón "Home" (Inicio)	Devuelve al usuario a la pantalla de inicio.

4.3.2 Realizar una medición

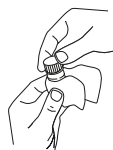
Por favor, prepare las cubetas de muestra incluidas en el volumen de suministro antes de la medición. Asegúrese de que las cubetas de muestra no tengan manchas, arañazos ni imperfecciones.



1. Recoger la muestra

Asegúrese de que la muestra es representativa (bien mezclada). El material de vidrio debe estar libre de manchas, arañazos u otras imperfecciones.

Enjuague el recipiente de recogida al menos dos veces con la muestra antes de recogerla.



2. Preparar la cubeta

Con un paño que no suelte pelusa, secar el exterior del vial de muestra.

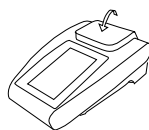
Utilice aceite de silicona para minimizar los reflejos de luz parásita.



3. Insertar el vial en el instrumento

Asegúrese de que la muestra no tiene burbujas.

Invierta lentamente para mezclar. No agitar.



4. Cierre la tapa

No se permitirá la medición sin la tapa colocada.



5. Compruebe los ajustes

Asegúrese de que los ajustes de medición son correctos. Los ajustes para la medición no se pueden cambiar después de que se produzca la medición.



6. Pulse el botón de medición

Inicia la medición.



7. Registro de datos

Entre en el registro de datos para guardar la medición.



8. Guardar medición

Si lo desea, pulse el botón Guardar para crear un registro de mediciones.



9. Pausa

Pone en pausa la medición en el modo de medición "continuo".



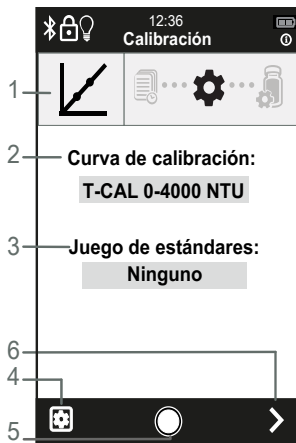
- No introduzca ningún objeto en la cámara de medición, excepto las cubetas destinadas a las mediciones.
- No introduzca ningún líquido en la cámara.

¡Atención!

ES

4.4 Calibración

4.4.1 Visión general de la calibración



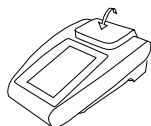
Descripción	Función
1 Barra de aplicaciones	Ruta de navegación para ayudar al usuario en los pasos del proceso.
2 Curva de calibración	Especifica el tipo de calibración.
3 Juego de estándares	Identificador único del conjunto de estándares.
4 Botón "Configuración"	Sirve para cambiar los ajustes.
5 Botón "Home" (Inicio)	Devuelve al usuario a la pantalla de inicio.
6 Botón "Siguiente"	Avanza a la siguiente pantalla.

4.4.2 Realización de una calibración

Prepare los estándares T-CAL® incluidos en el volumen de suministro antes de la calibración. Asegúrese de que los frascos de T-CAL® no tengan manchas, arañazos o imperfecciones.

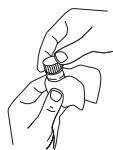
- Estándares T-CAL® para TB 350 IR: 20 / 800 / 4000 NTU
- Estándares T-CAL® para TB 350 WL: 20 / 800 / 2000 / 4000 NTU

ES



1. Ajuste cero:

Realiza un ajuste del cero.



2. Prepare la cubeta:

Cubeta de muestra, aceite si es necesario.



3. Insertar estándar:

Inserta el valor estándar especificado en la pantalla. El usuario insertará series de varios estándares de turbidez para completar la calibración.



4. Modal:

Representa el proceso activo.



5. Resumen del registro:

Pulse el botón Guardar para guardar el registro.
Pulse el botón Cancelar para volver al principio del proceso de calibración.

5 Mantenimiento

5.1 Programa de mantenimiento delete reanudado

Tarea	Hacer	No hacer
1. Limpiar la cámara de medición	1. Asegúrese de que la cámara de medición esté limpia y seca antes de la medición. Utilice un paño de microfibra seco para eliminar las impurezas.	1. Rocíe o vierta cualquier líquido directamente en la cámara de medición.
2. Limpieza de la pantalla del instrumento	2. Limpie la pantalla táctil con un paño de microfibra seco o ligeramente húmedo.	2. Medir una muestra que no esté bien tapada.
Limpieza de la carcasa exterior	Limpie la carcasa exterior con una solución limpiadora suave o con alcohol diluido.	
Almacenamiento y cuidado de las cubetas de muestra	Almacenamiento y cuidado de las cubetas de muestra	Use aceite de silicona en exceso que no se haya limpiado del vial. Una sola gota es todo lo que se necesita.
	Llenar el vial con agua desionizada. Tapar el vial para evitar la formación de manchas de agua.	Dejar las células de la muestra sin tapar para que se sequen al aire.
	Secar el exterior del vial con un paño de microfibra.	Utilice cualquier frasco que tenga imperfecciones visibles, incluyendo picaduras, arañazos o grietas.
Cambio de baterías	Se sugiere retirar las pilas si el instrumento se almacena durante más de 30 días para evitar fugas en las pilas.	Utilice un tipo de batería no especificado.

Tarea	Hacer	No hacer
Calibración	<p>Calibre según sea necesario bajo las siguientes condiciones:</p> <ol style="list-style-type: none"> 1. Fallo de verificación. 2. Se realiza el mantenimiento de los sistemas ópticos o electrónicos. 3. Según lo requieran las autoridades reguladoras regionales. 	Utilizar estándares caducados.
	Siga cuidadosamente las instrucciones de preparación y uso de los estándares.	
Verificación	<p>Verifique el rendimiento del instrumento bajo las siguientes condiciones:</p> <ol style="list-style-type: none"> 1. Después de realizar una calibración. 2. Según los procedimientos internos de control de calidad. 3. Según lo exigido por las autoridades reguladoras regionales. 	Utilizar estándares caducados.
	Siga cuidadosamente las instrucciones de preparación y uso de los estándares.	
Conector / Cierre	Asegúrese de que la junta del conector esté colocada cuando no esté en un entorno de laboratorio.	No almacene la unidad sin la junta conectada.
		Transporte o soporte del instrumento a través de un cable conector.



¡Atención!

La manipulación incorrecta de ciertos reactivos puede dañar su salud. En cualquier caso, siga la información de las etiquetas de seguridad del envase, las instrucciones de seguridad del prospecto y la hoja de datos de seguridad disponible. Las medidas de protección allí especificadas deben seguirse con exactitud.

6 Resolución de problemas

6.1 Mensajes de error y qué hacer

Síntoma	Posible causa	Solución
Rango elev.	La turbidez de la muestra está más allá del rango de medición del instrumento.	<ul style="list-style-type: none"> Diluir la muestra Verificar la calibración utilizando un estándar de alto rango.
Rango bajo	La turbidez de la muestra está por debajo del límite de detección del instrumento.	<ul style="list-style-type: none"> Repita la medición de la luz difusa (ajuste del cero) según lo prescrito y asegúrese de que la tapa de la muestra esté cerrada. Repita la calibración después de determinar la luz difusa.
El instrumento no se enciende	Las pilas están defectuosas Las pilas no están bien colocadas	<ul style="list-style-type: none"> Sustituya las pilas por un juego completo nuevo.
El botón "Guardar" de una función no aparece, por lo que no se puede crear un registro.	Falta la información requerida	Asegúrese de que las iniciales del usuario y todos los demás campos obligatorios están correctamente dirigidos.
El instrumento no realiza la medición	La tapa no está cerrada	Cerrar la tapa.
Notificación de batería baja	La batería está por debajo del 20%.	Sustituya o recargue las pilas.
El usuario no puede acceder a los ajustes del instrumento	El protocolo de seguridad del dispositivo está activo	Introduzca la contraseña para desbloquear las funciones de Configuración y Calibración.
Error de calibración	Los viales de las muestras no se limpiaron antes de la calibración.	<ul style="list-style-type: none"> Vuelva a lavar los viales de muestra siguiendo el procedimiento indicado en el manual. Almacene los viales como se indica en el manual. Comprobar la fecha de caducidad del estándar
Error de calibración	Los estándares de calibración se ejecutaron en el orden equivocado.	Repita la calibración con los estándares de menor a mayor valor.

Síntoma	Posible causa	Solución
Error de calibración	Los estándares de calibración no se mezclaron adecuadamente.	Mezcle los estándares según las instrucciones inmediatamente antes de realizar la calibración.
Error de calibración	Estándares de calibración preparados para valores de turbidez erróneos.	Repita la preparación de los estándares de calibración, asegurándose de que las diluciones son correctas.
Error de verificación	La verificación queda fuera de los límites del Error.	<ul style="list-style-type: none"> • Mezclar el estándar de verificación antes de la verificación. • Compruebe los criterios de aprobación/desaprobación para asegurarse de que los criterios no son más estrictos que la precisión del estándar y ajuste estos criterios en consecuencia. • Comprobar la fecha de caducidad del estándar

7 Accesorios y piezas de repuesto

7.1 Lista de accesorios

Título		Referencia No
Aceite de silicona	TB350 IR, TB350 WL	194295
Cable USB-C de 1 m, USB-C a A	TB350 IR, TB350 WL	19820-081
Cepillo, 11 cm longitud	TB350 IR, TB350 WL	380230
Cubetas de medición con tapa, altura 55 mm, ø 24 mm, juego de 12	TB350 IR, TB350 WL	197655
Fuente de alimentación TB series	TB350 IR, TB350 WL	19820-170
Juego estándares de turbidez T-CAL (5, 20, 800, 2000, 4000 NTU)	TB350 WL	194152
Juego estándares de turbidez T-CAL (5, 20, 800, 4000 NTU)	TB350 IR	194154
Paño de limpieza	TB350 IR, TB350 WL	197635
Paquete de 3 pilas, HR6, AA, Ni-MH	TB350 IR, TB350 WL	19820-011
Pilas (AA), juego de 4	TB350 IR, TB350 WL	1950025
Soporte para cubetas para 6 cubetas redondas Ø 24 mm	TB350 IR, TB350 WL	418951
T-CAL®-Standard, 4000 NTU, 125 ml	TB350 IR, TB350 WL	48012912
T-CAL®-Standard, 4000 NTU, 500 ml	TB350 IR, TB350 WL	48012950

7.2 Lista de accesorios

Descripción	Número de pieza
Maletín de transporte	19820-130
Tapa, cámara de muestras	19820-095
Tapa, compartimento de la batería	19820-098
Enchufe, elastomérico, IP67, I/O	19820-084
Inserto para 4 pilas AA	19820-012

8 Especificaciones

Model	Model WM-040-1004 (IR)
	Model WM-040-1001 (WL)
Fuente luminosa	LED infrarrojo (860 nm)
	LED blanco
Cumplimiento regulaciones	ISO 7027
	Aprobado por la EPA (alternativa a la US EPA 180.1)
Principio de medición	Nefelométrica (Multipath 90° BLAC)
Rango de medición	0,01 - 4000 NTU (FNU)
Resolución	Autoranging: 0.01-9.99: 0.01 NTU ; 10.0-99.9: 0.1 NTU ; 100-4000: 1 NTU
Precisión	± 1,8 % de la lectura + luz difusa
Repetibilidad	< 1 % o ± 0,01 NTU
Luz parásita	< 0.014 NTU
Unidad mostrada	NTU, FNU, grados, mg/L de caolín, mg/L PSL
Tiempo de respuesta	7 segundos
Modos de lectura	Soltero, Promedio de señal, Fast-Settling
Opciones de calibración	Calibración de rango completo de 0 - 4000 NTU
Detector	Fotodiodo de silicio
Modo de ratio	Sí
Volumen de muestra requerido	10 mL (0,4 oz)
Display	Pantalla táctil a todo color
Tamaño de la pantalla	55 x 95 mm (A x A)
Interfaces	<ul style="list-style-type: none"> • USB-A • USB-C
Datalogger	250 mediciones, todas las calibraciones, verificaciones y restauraciones en fábrica
Formato transmisión de datos	.csv
Modo de ahorro de energía	Sí

Auto – OFF	Seleccionable
Alimentación eléctrica	<ul style="list-style-type: none"> • 3 NiMH-battery pack (AA) • 4 batteries (AA) • Universal (90 - 240 VAC), via external power supply
Condiciones ambientales	<p>Temperatura: 0 - 50 °C (32 - 122 °F)</p> <p>Humedad: 0 - 90 % a 30 °C, sin condensación</p> <p>Humedad: 0 - 80 % a 40 °C (104 °F), sin condensación</p> <p>Humedad: 0 - 70 % a 60 °C, sin condensación</p>
Clase de protección	IP 67 (instrumento)
Conformidad	<ul style="list-style-type: none"> • CE • CSA • FCC A • RoHS • TÜV • UL • WEE
Idiomas Interfaz de usuario	<ul style="list-style-type: none"> • Alemán • Chino • Español • Francés • Holandés • Inglés • Japonés • Polaco • Portugués • Turco
Guía de inicio rápido de los idiomas	<ul style="list-style-type: none"> • Alemán • Chino • Español • Francés • Holandés • Inglés • Italiano • Portugués • Ruso • Turco

Idiomas Manual de usuario completo	<ul style="list-style-type: none"> • Alemán • Chino • Español • Francés • Holandés • Inglés • Italiano • Portugués • Ruso • Turco
Medidas	155 x 83 x 225 mm
Peso	804 g (898 g with four AA alkaline batteries)
Peso con embalaje	(898 g with four AA alkaline batteries)



¡Precaución!

Sujeto a modificaciones técnicas.
Para garantizar la máxima precisión de los resultados de las pruebas, utilice siempre los sistemas de reactivos suministrados por el fabricante del instrumento.

8.1 Especificaciones - Adaptador de red

Tipo	WR9QA2500USB52NMR6B
Diseño	Enchufe del adaptador de red, fuente de alimentación conmutada
Tensión de entrada, frecuencia	100 – 240 V \pm 10 %, 50 / 60 Hz \pm 5 %
Corriente de entrada	0.3 A
Adaptador principal	Europa, Reino Unido, Australia, Estados Unidos
Clase de protección	II
Tensión de salida, frecuencia	5.2 V, DC
Corriente de salida máxima	2.5 A
Protección de la salida	Apagado de salida y reinicio automático
Condiciones ambientales	De 0 °C a 40 °C, con un máximo de 95 % de humedad relativa del aire
Clase de eficiencia energética	VI
Norma de seguridad	EN 62368

Tipo	WR9QA2500USB52NMR6B
EMC	EN 55032 FCC Part 15 Clase A EN 55024
Dimensiones [mm]	31.5 x 41 x 71 (sin adaptador primario)
Peso, con adaptador UE	48 g (sin adaptador primario)
Aprobación, EMC	CE, FCC
Altitud permitida metros	5000 m
Nivel de polución	2

**¡Precaución!**

Sujeto a modificaciones técnicas.
Para garantizar la máxima precisión de los resultados de las pruebas, utilice siempre los sistemas de reactivos suministrados por el fabricante del instrumento.

9 Apéndice

9.1 Aviso de derechos de autor y marcas comerciales

Lovibond®, Tintometer® y T-CAL® son marcas registradas del grupo de empresas Tintometer. Todas las traducciones y transliteraciones de Lovibond® y Tintometer® se afirman como marcas comerciales del grupo Tintometer®.

La marca Bluetooth®, la marca de la figura y la marca combinada son marcas comerciales propiedad de Bluetooth SIG y cualquier uso por parte del Grupo Tintometer® es bajo licencia.

ES

1 Introdução

1.1 Informações gerais

1.1.1 Leia as instruções antes de usar

Este manual fornece informações importantes sobre o uso seguro do produto. Leia atentamente este manual e familiarize-se com o produto antes de utilizá-lo.

1.1.2 Finalidade do Produto

O turbidímetro portátil da série TB foi projetado para analisar amostras aquosas que são recolhidas em cubetas de vidro e depois fechadas. A cubeta é preparada para a medição usando uma técnica cuidadosa para minimizar a interferência ocasionada por poeiras e arranhões. Após a preparação, a cubeta é colocada no instrumento para a medição.

O instrumento pode ser utilizado no laboratório ou levado para o campo para fazer medições em amostras à medida que são recolhidas.

Deve-se ter cuidado ao transportar o turbidímetro. Se o instrumento for levado para o campo, deve-se utilizar a maleta de transporte. Se o instrumento tiver de ser utilizado para aplicações regulamentadas, é aconselhável contatar as autoridades locais para assegurar-se de que o modelo de instrumento selecionado está correto.

1.1.3 Uso autorizado

A responsabilidade e garantia do fabricante por danos é anulada com o uso inadequado, não cumprimento deste manual, utilização por pessoal não qualificado, ou alterações não autorizadas no produto.

O fabricante não é responsável por custos ou danos que possam surgir por parte do usuário ou de terceiros devido à utilização deste produto, especialmente em casos de uso indevido, mau uso ou falhas relacionadas ao produto.

O fabricante não assume qualquer responsabilidade por erros de impressão.

1.1.4 Requisitos para uma utilização segura

Observar os seguintes pontos para uma utilização segura do equipamento:

- Se o equipamento for utilizado de uma forma não especificada pelo fabricante, a protecção fornecida pelo equipamento pode ser prejudicada.
- O produto só pode ser utilizado de acordo com a utilização autorizada especificada acima.
- O produto só pode ser fornecido com energia elétrica fornecida pelas fontes de energia mencionadas neste manual de instruções.
- O produto só pode ser utilizado sob as condições ambientais mencionadas neste manual de instruções.
- O produto não deve ser aberto ou modificado.

O produto não deve ser utilizado se:

- estiver visivelmente danificado (por exemplo, após ter sido transportado)
- tiver sido armazenado em condições adversas durante um longo período de tempo (sobre as condições de armazenamento, ver capítulo "Especificações")

Pré-requisitos para o uso seguro da fonte de alimentação encaixável (plug-in).

Observar os seguintes pontos para uma utilização segura:

- Verificar se existem danos visíveis antes de usar. Se o equipamento estiver danificado, não colocá-lo em funcionamento.
- Utilizá-lo apenas em salas secas.
- Manuseá-lo apenas com as mãos secas.
- Só deverá ser utilizada a fonte de alimentação recomendada pelo fabricante.
- O produto não deverá ser aberto ou modificado.
- Apenas o cabo USB-C recomendado pelo fabricante deverá ser utilizado para a alimentação do dispositivo.

PT

1.1.5 Manual de instruções

O manual deve ser mantido próximo do produto para que seja sempre possível encontrar a informação necessária.

1.1.6 Qualificação do usuário

O usuário deve ser capaz de compreender e implementar corretamente os rótulos de segurança e as instruções de segurança nas embalagens e folhetos dos produtos.

O usuário deve ser capaz e hábil para ler e compreender este manual, a fim de familiarizar-se com o seu manuseio e de garantir uma utilização segura.

1.1.7 Manuseio de produtos químicos perigosos

Podem existir riscos químicos e/ou biológicos quando este produto for utilizado. Respeitar todas as leis, regulamentos e protocolos que regem a utilização deste produto.

Para o desenvolvimento de seus produtos, a Lovibond® presta muita atenção à segurança. Porém, alguns perigos decorrentes de substâncias perigosas podem não ser evitáveis. Se forem utilizados testes ou soluções produzidas pelo usuário, a responsabilidade por quaisquer riscos causados por esses testes ou soluções recai sobre o utilizador (responsabilidade pessoal).

Para a sua própria proteção, para padrões de turbidez superiores a 5 NTU, recomenda-se o uso de luvas ou óculos de proteção. Observar a ficha de dados de segurança aplicável.

As fichas de dados de segurança dos produtos químicos incluem todas as instruções sobre o manuseio seguro, riscos, ações preventivas e ações a tomar em situações perigosas.

1.1.8 Observações para o descarte

Eliminar baterias e equipamentos elétricos de forma adequada, de acordo com a legislação local.

É ilegal eliminar as pilhas juntamente com resíduos domésticos.

Dentro da União Europeia, no final da vida do dispositivo, as baterias são eliminadas num ponto especializado de coleta para reciclagem.



Os instrumentos marcados com este símbolo não devem ser eliminados nos resíduos domésticos normais.

1.2 Lista de todos os símbolos utilizados no documento

Os seguintes símbolos são utilizados neste manual para indicar as seções que requerem atenção especial:



Perigo!

Indica um perigo que poderá resultar em morte ou ferimentos graves se não for evitado!



Advertência.

O manuseio inadequado de certos reagentes pode prejudicar a sua saúde. Em qualquer caso, seguir as informações das etiquetas de segurança da embalagem, as instruções de segurança no manual da embalagem e a ficha de dados de segurança disponível. Deve-se seguir exatamente as medidas de proteção ali especificadas.



Cuidado!

Existe um perigo que poderá resultar em lesões menores ou moderadas.

1.3 Abreviaturas

Abreviaturas	Definição
NTU	Nephelometric Turbidity Unit
FNU	Formazin Nephelometric Units
mg/l	Miligrama por litro

2 Resumo do produto

2.1 Guia de símbolos

As etiquetas fixadas ao produto devem ser rigorosamente observadas para evitar danos pessoais ou danos ao produto. Consultar este capítulo para obter informação sobre a natureza do perigo ou risco antes de tomar qualquer ação onde tal etiqueta esteja presente.



Para usuários profissionais na União Europeia:

Se desejar descartar esse equipamento eletroeletrônico (EEE), entre em contato com o seu revendedor ou fornecedor para mais informações.

Para descarte em países fora da União Europeia:

Este símbolo só é válido na União Europeia (UE). Se desejar descartar este produto em outra região, entre em contato com as autoridades locais, ou revendedor, e solicite o método correto de descarte.

2.2 Certificação

EMC Emissões conduzidas e irradiadas	CISPR 11 (Limites da Classe A)	Marca CE
EMC Imunidade	EN 61326-1 (Limites industriais)	Marca CE
Segurança	EN 61010-1	Marca de segurança TÜV
FCC	FCC Classe A	Marca FCC

Aviso FCC Classe A

Este dispositivo está em conformidade com a Parte 15 das Regras da FCC. O seu funcionamento está sujeito às duas condições seguintes:

- Este dispositivo não pode causar interferências nocivas.
- Este dispositivo deve aceitar qualquer interferência recebida, incluindo interferências que possam causar um funcionamento indesejável.

Nota: Este equipamento foi testado e considerado em conformidade com os limites para um dispositivo digital de Classe A, nos termos da Parte 15 das Normas da FCC. Estes limites são concebidos para proporcionar uma protecção razoável contra interferências prejudiciais quando o equipamento é operado num ambiente comercial. Este equipamento gera, utiliza e pode irradiar energia de radiofrequência e, se não for instalado e utilizado de acordo com o manual de instruções, pode causar interferências nocivas às comunicações por rádio. A operação deste equipamento numa área residencial é susceptível de causar interferências prejudiciais, caso em que o utilizador será obrigado a corrigir a interferência à sua custa.

Cabos blindados



As ligações entre o sistema e os seus periféricos devem ser feitas utilizando cabos blindados, a fim de manter a conformidade com os limites de emissão de radiofrequências da FCC.

Cuidado!

PT

Modificações



Quaisquer modificações feitas a este dispositivo que não sejam aprovadas pelo Tintometer podem anular a autorização concedida ao utilizador pela FCC para operar este equipamento.

Cuidado!

Aviso DOC Classe A - Avis DOC, Classe A

Este aparelho digital de Classe A cumpre todos os requisitos do Canadian Interference-Causing Equipment Regulations.

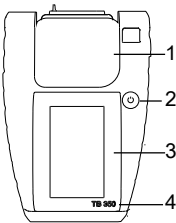
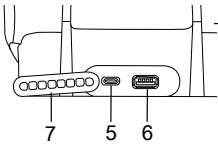
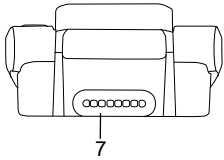
2.3 Características

A precisão do laboratório encontra a portabilidade

A série Lovibond® TB elimina as complexidades na medição da turbidez. Esta nova tecnologia proporciona o mais alto nível de precisão, eficiência operacional e regulamentar.

- Interface com tela de toque para maior facilidade de operação
- Instruções orientadas por imagens para guiar o utilizador ao longo das etapas do processo e evitar erros.
- Protocolos simples de gestão de dados para assegurar a integridade dos dados

2.4 Vista do instrumento

Posição	Descrição	Função
	1. Tampa	Quando levantada, permite ao utilizador colocar a cubeta de amostra no instrumento para efetuar a leitura.
	2. Botão de alimentação	Liga e desliga o instrumento.
	3. Tela de toque	Apresenta a interface do utilizador do instrumento.
	4. Número do modelo	Identifica a versão do instrumento.
	5. Porta USB-C	Fornece energia ao instrumento a partir de uma fonte externa ou recarregará o acessório da bateria (se instalado).
	6. Porta USB-A	Suporta dispositivo externo USB-A para funções tais como transferência de dados ou backups.
	7. Vedação	Usada para cobrir as portas USB quando as conexões não estão sendo utilizadas.
		

3 Comissionamento

3.1 Ambiente operacional

O instrumento pode ser utilizado em qualquer ambiente interior ou exterior que seja considerado seguro para um usuário realizar a análise.

O instrumento pode aceitar amostras aquosas, de 0 a 70 °C.

O instrumento deve estar nivelado, a $\pm 15^\circ$, ao realizar uma medição.

O instrumento deve ser colocado sobre uma superfície plana para que se obtenha o melhor desempenho na medição.

PT

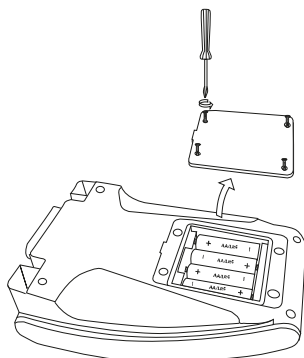
3.2 Conteúdo da entrega

Inspecionar cuidadosamente todos os itens para assegurar-se de que cada um dos itens marcados na lista abaixo esteja presente e que não ocorreram danos visíveis durante o envio. Se houver algum dano ou se faltar alguma coisa, por favor entre imediatamente em contato com o seu distribuidor local.

TB	350 IR	350 WL
Instrumento	X	X
Óleo de Silicone, 15 ml	X	X
Pano de Microfibra	X	X
2 x Cubetas de amostra	X	X
Chave de fenda	X	X
Escova	X	X
Maleta de transporte	X	X
Guia de Início Rápido	X	X
Certificado de Conformidade	X	X
Informações de Garantia	X	X
4 x Pilhas AA	X	X
Pacote de pilhas recarregáveis		
Cabo USB-C		
Fonte de alimentação CA		
Adaptadores para tomadas dos EUA, Reino Unido e UE		
T-CAL® Standard, 5 NTU	X	X
T-CAL® Standard, 20 NTU	X	X
T-CAL® Standard, 800 NTU	X	X
T-CAL® Standard, 2000 NTU		X
T-CAL® Standard, 4000 NTU	X	X

3.3 Instalação ou Substituição das Pilhas/ Baterias

Ao utilizar pilhas



PT

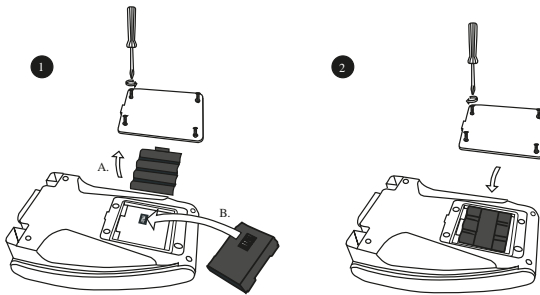
Passo	Descrição
1	Utilizar uma chave de fenda para remover os quatro parafusos na parte de traseira do instrumento e remover o painel.
2	Inserir as quatro pilhas AA na orientação adequada.
3	Fixar o painel de volta ao instrumento.



Atenção!

- Utilizar apenas o tipo aprovado: pilha alcalina de manganês, LR6, com voltagem de 1,5V.
- Retirar as pilhas esgotadas da unidade o mais rapidamente possível.
- Se o equipamento não for utilizado durante muito tempo, remover as pilhas da unidade.

Ao utilizar un conjunto de baterias recarregáveis



Passo	Descrição
1	Utilizar uma chave de fenda para retirar os quatro parafusos na parte traseira do instrumento, retirar o painel e o suporte de pilhas.
2	Inserir o conjunto de baterias recarregáveis na orientação correcta.
3	Fixar o painel de volta ao instrumento.



Advertência

O conjunto de baterias recarregáveis (19820-011) só é compatível com instrumentos com o número de série 23041000 e superior.

A utilização do conjunto de baterias em instrumentos com números de série anteriores a 23041000 pode provocar o sobreaquecimento do dispositivo durante o carregamento. Este sobreaquecimento pode levar a leituras incorrectas e a danos no dispositivo, pelo que deve ser evitado. Para instrumentos com número de série inferior a 23041000, contactar a Lovibond® para obter informações sobre a utilização deste acessório.

4 Operação

4.1 Comissionamento inicial



1. Tela de boas-vindas

A primeira tela que o usuário vê ao ligar.
Aperte > botão



2. Selecione o Idioma

Selecione o idioma desejado.
Aperte > botão



3. Definir data e hora

Escolha entre o formato de 12 e 24 horas.
Alterar valores usando setas para cima e para baixo.
Aperte > botão



4. Senha

Definir uma senha definida pelo usuário para implementar características de segurança no instrumento.
Aperte o botão Guardar.
Se não for desejada nenhuma senha, selecione "Pular".
Aperte > botão



5. Unidades padrão

Selecione o tipo de unidade desejada.
Aperte > botão



6. Detalhes de contato

Introduza a informação do proprietário do instrumento.
Aperte o botão Guardar.
Se nenhum detalhe for desejado, selecione "Pular".
Aperte > botão



7. Tela de resumo





Revisão da configuração inicial.
Aperte < para alterar a configuração antes de prosseguir.
Pressione > para prosseguir com a tela inicial.
O utilizador pode selecionar a tarefa a executar com o instrumento.

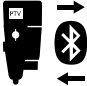

4.2 Lista de ícones e suas funções

4.2.1 Lista de ícones e sua função



Descrição	Função
1 Barra de estado	Apresenta os ícones e etiquetas que são universais, incluindo Tempo, Bluetooth®, USB, Segurança, Fonte de Luz e Energia.
2 Área de Ação	Área que exhibe as etapas de aplicação e interação
3 Barra Home	Utilizada principalmente para navegação, para iniciar, guardar ou arquivar ações e regressar à Home.

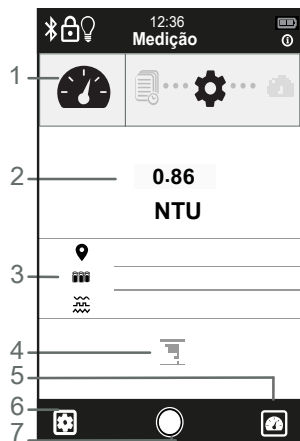
Ícone	Descrição
	Modo de medição
	Modo de Calibração
	Modo de Verificação
	Registos de dados

Ícone	Descrição
	Conexão Bluetooth ao turbidímetro de processo PTV (não disponível para TB 350)
	Configurações do instrumento

PT

4.3 Medição

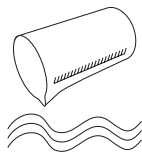
4.3.1 Resumo das medições



Descrição	Função
1 Barra de aplicação	Caminho de navegação para ajudar o utilizador ao longo das etapas do processo.
2 Valor de Medição	Exibição do resultado da medição com unidade.
3 Configurações	São apresentadas as configurações aplicadas à medição.
4 Botão Log	Cria um Registo quando pressionado.
5 Botão de medição	Inicia uma medição quando pressionado.
6 Botão Configurações	Utilizado para alterar configurações.
7 Botão Home	Devolve o usuário à tela inicial.

4.3.2 Realização de uma medição

Por favor, antes da medição preparar as cubetas de amostra fornecidas. Certifique-se de que as cubetas de amostra estejam limpas e livres de arranhões ou manchas.



1. Coleta da amostra

Assegurar-se que a amostra seja representativa (bem misturada).
Os frascos devem estar limpos e livres de arranhões ou manchas.
Lavar o frasco de coleta pelo menos duas vezes com amostra antes da coleta da amostra.



2. Preparar a cubeta

Utilizando um pano livre de fiapos, secar o exterior da cubeta de medição.
Utilizar óleo de silicone para minimizar os efeitos de luz difusa.



3. Inserir a cubeta no instrumento

Certificar-se de que a amostra esteja livre de bolhas.
Inverter lentamente para misturar. Não agitar.



4. Fechar a tampa

A medição não será permitida sem a tampa no lugar.



5. Verificar as Configurações

Assegurar-se de que as configurações de medição estejam corretas. As configurações de medição não poderão ser alteradas após a realização da medição.



6. Botão de Medição

Inicia a medição.



7. Registos de dados

Introduza o Registo de Dados para guardar a medição.



8. Salvar a Medição

Se desejar, aperte o botão Guardar para criar um registo de medição.



9. Pausa

Pausa a medição em modo de medição "contínuo".

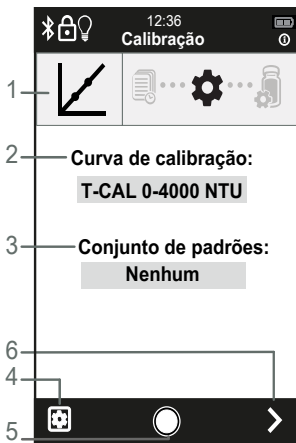


- Não inserir quaisquer objetos na câmara de medição, excepto as cubetas destinadas às medições.
- Não inserir quaisquer líquidos na câmara de medição.

Advertência!

4.4 Calibração

4.4.1 Visão Geral da Calibração



Descrição	Função
1 Barra de aplicação	Caminho de navegação para ajudar o utilizador ao longo das etapas do processo.
2 Curva de Calibração	Especifica o tipo de calibração.
3 Conjunto de padrões	Identificador único do conjunto de padrões.
4 Botão de Configurações	Utilizado para alterar configurações.
5 Botão Home	Devolve o usuário à tela inicial.
6 Próximo Botão	Avançar para a próxima tela.

4.4.2 Realizar uma Calibração

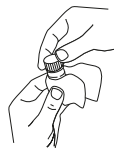
Por favor, preparar os padrões T-CAL® incluídos no âmbito da entrega antes da calibração. Certifique-se de que os frascos de padrão T-CAL® estejam limpos e livres de arranhões ou manchas.

- Padrões T-CAL® para TB 350 IR: 20 / 800 / 4000 NTU
- Normas T-CAL® para TB 350 WL: 20 / 800 / 2000 / 4000 NTU



1. Ajuste de Zero:

Realiza um ajuste de zero.



2. Preparar a cubeta:

Utilizar óleo de silicone na cubeta, se necessário.



3. Inserir o padrão:

Inserir o valor do padrão especificado na tela.

O usuário deverá inserir uma série de padrões de turbidez para completar a calibração.



4. Modo:

Representa um processo activo.



5. Resumo do registo:

Aperte o botão Guardar para guardar o registo.

Aperte o botão Cancelar para voltar ao início do processo de calibração.

5 Manutenção

5.1 Rotina de manutenção recomendada

Tarefa	Fazer	Não fazer
1. Câmara de medição limpa	1. Assegurar-se de que a câmara de medição esteja limpa e seca antes da medição. Utilizar um pano seco de microfibras para remover as impurezas.	1. Pulverizar ou verter qualquer fluido directamente para a câmara de medição.
2. Tela do instrumento limpa	2. Limpar a tela de toque com um pano de microfibras seco ou ligeiramente humedecido.	2. Medir uma amostra que não esteja bem tampada.
Limpeza do exterior do gabinete	Limpar o exterior do gabinete com uma solução detergente suave ou álcool diluído.	
Armazenamento e cuidados com as cubetas de amostra	Sempre lavar os frascos com água destilada ou deionizada após a utilização.	Usar óleo de silicone em excesso sem removê-lo da cubeta. Uma única gota é o suficiente.
	Encher o frasco com água DI. A Tampe o frasco para evitar a formação de manchas de água.	Deixe as cubetas de amostra destampadas para secar ao ar.
	Limpar o exterior da cubeta com um pano de microfibras.	Utilizar qualquer cubeta que possua imperfeições visíveis, incluindo marcas e riscos.
Substituição das pilhas	Sugere-se a remoção das pilhas se o instrumento for armazenado por mais de 30 dias para evitar o vazamento das pilhas.	Utilizar pilhas diferentes das especificadas.

Tarefa	Fazer	Não fazer
Calibração	<p>Calibrar conforme necessário de acordo com as seguintes condições:</p> <ol style="list-style-type: none"> 1. Falha na verificação. 2. Após realização de manutenção nos sistemas óptico ou eletrônico. 3. Conforme exigido pelas autoridades reguladoras regionais. 	Utilização de padrões vencidos.
	Siga cuidadosamente as instruções de preparação e utilização dos padrões.	
Verificação	<p>Verificar o desempenho do instrumento de acordo com as seguintes condições:</p> <ol style="list-style-type: none"> 1. Após realizar uma calibração. 2. Devido à procedimentos internos de controle de qualidade. 3. Conforme exigido pelas autoridades reguladoras regionais. 	Utilização de padrões vencidos.
	Siga cuidadosamente as instruções de preparação e utilização dos padrões.	
Conector/ Vedação	Certifique-se de que a tampa do conector esteja instalada quando não estiver em um ambiente de laboratório.	<p>Não armazenar a unidade sem a tampa de vedação instalada.</p> <p>Transportar ou suspender o instrumento por meio de um cabo de conexão.</p>


Advertência.

O manuseio inadequado de certos reagentes pode prejudicar a sua saúde. Em qualquer caso, seguir as informações das etiquetas de segurança da embalagem, as instruções de segurança no manual da embalagem e a ficha de dados de segurança disponível. Deve-se seguir exatamente as medidas de proteção ali especificadas.

6 Resolução de problemas

6.1 Mensagens de erro e o que fazer

Sintoma	Possível Causa	Solução
Acima da faixa	A turbidez da amostra é superior a faixa de medição do instrumento.	<ul style="list-style-type: none"> Diluir a amostra Verificar a calibração utilizando um padrão de faixa alta.
Abaixo do alcance	A turbidez da amostra é inferior ao limite de detecção do instrumento.	<ul style="list-style-type: none"> Repetir a medição da luz dispersa (ajuste zero) conforme descrito e certificar-se de que a tampa da amostra esteja fechada. Repetir a calibração após a luz difusa ter sido determinada.
O instrumento não liga	As pilhas estão defeituosas. As pilhas não estão inseridas corretamente.	<ul style="list-style-type: none"> Substituir as pilhas por um conjunto completo novo.
O botão "Guardar" para uma função não aparece, pelo que não pode ser criado um registo.	Faltam as informações necessárias.	Assegurar que as iniciais do utilizador e todos os outros campos obrigatórios são devidamente tratados.
O instrumento não realiza a medição	A tampa não está fechada.	Fechar a tampa.
Notificação de pilha fraca	A pilha está abaixo de 20%.	Substituir ou recarregar as pilhas.
As configurações do instrumento não podem ser acessadas pelo usuário.	O protocolo de segurança do instrumento está ativo.	Introduza a senha para desbloquear as definições e funções de Calibração.
Erro de Calibração	As cubetas de amostra não foram limpas antes da calibração.	<ul style="list-style-type: none"> Lavar novamente as cubetas de amostra utilizando o procedimento do manual. Armazenar os frascos conforme descrito no manual. Verificar a data de validade do padrão.

Sintoma	Possível Causa	Solução
Erro de Calibração	Os padrões de calibração foram utilizados na ordem errada.	Repetir a calibração com a ordem dos padrões do valor mais baixo para o mais alto.
Erro de Calibração	Os padrões de calibração não foram adequadamente misturados.	Misturar os padrões conforme as instruções imediatamente anteriores à realização da calibração.
Erro de Calibração	Padrões de calibração preparados para valores de turbidez incorretos.	Repetir a preparação dos padrões de calibração, certificando-se de que as diluições estejam corretas.
Erro de Verificação	A verificação está fora dos limites de erro.	<ul style="list-style-type: none"> • Misturar o padrão de verificação antes do uso. • Verificar os critérios de aprovação/reprovação para assegurar-se de que os critérios não sejam mais rigorosos do que a precisão do padrão e ajustar estes critérios em conformidade. • Verificar data de validade do padrão.

7 Acessórios e peças de substituição

7.1 Lista de Acessórios

Título	Artigo No
ASM, Pacote de baterias de 3 células, HR6, AA, Ni-MH	TB350 IR, TB350 WL 19820-011
Cabo USB-C de 1 m, USB-C para A	TB350 IR, TB350 WL 19820-081
Conjunto de padrões de turvação T-CAL (5, 20, 800, 2000, 4000 NTU)	TB350 WL 194152
Conjunto de padrões de turvação T-CAL (5, 20, 800, 4000 NTU)	TB350 IR 194154
Cubetas de medição com tampa preta, altura 55 mm, ø 24 mm, conjunto com 12	TB350 IR, TB350 WL 197655
Escova, 11 cm de comprimento	TB350 IR, TB350 WL 380230
Fonte de alimentação para a Serie TB	TB350 IR, TB350 WL 19820-170
Óleo de silicone	TB350 IR, TB350 WL 194295
Pano de limpeza	TB350 IR, TB350 WL 197635
Pilhas (AA), jogo com 4	TB350 IR, TB350 WL 1950025
Suporte de cubetas para 6 cubetas redondas de Ø 24 mm	TB350 IR, TB350 WL 418951
T-CAL [®] -Standard, 4000 NTU, 125 ml	TB350 IR, TB350 WL 48012912
T-CAL [®] -Standard, 4000 NTU, 500 ml	TB350 IR, TB350 WL 48012950

7.2 Lista de acessórios

Descrição	Número da peça
Maleta de transporte	19820-130
Tampa, compartimento de medição	19820-095
Tampa, compartimento de pilhas	19820-098
Tampão, elastômero, IP67, E/S	19820-084
Inserir para 4 pilhas AA	19820-012

8 Especificações

Model	Model WM-040-1004 (IR)
	Model WM-040-1001 (WL)
Fonte de Luz	LED infravermelho (860 nm)
	LED branco
Conformidade	ISO 7027
	Aprovado pela EPA (alternativa à EPA 180.1 dos EUA)
Princípio de Medição	Nefelométrica (Multipath 90° BLAC)
Faixa de Medição	0,01 - 4000 NTU (FNU)
Resolução	0,01 NTU na faixa mais baixa
Precisão	± 1,8 % da leitura + luz dispersa
Repetibilidade	< 1 % ou ± 0,01 NTU
Luz Dispersa	< 0,014 NTU
Unidades de medição	NTU, FNU, graus, mg/L Caulim, mg/L PSL
Tempo de Resposta	7 seconds7 secondes7 segundos
	7 Segundos
Modos de Leitura	Simplex, Média de leituras, Fast-Settling
Opções de Calibração	Calibração de gama completa de 0 - 4000 NTU
Detector	Fotodíodo de silício
Modo Ratio	Sim
Volume necessário de amostra	10 mL (0,4 oz)
Display	Tela de toque colorida
Tamanho da tela	55 x 95 mm (L x A)
Interfaces	<ul style="list-style-type: none"> • USB-A • USB-C
Registrador de Dados	250 medições, todas as calibrações, verificações e restaurações de fábrica
Formato de transferência de dados	.csv
Modo de economia de energia	Sim

Auto – OFF	Seleccionável
Fonte de Alimentação	<ul style="list-style-type: none"> • 3 NiMH-battery pack (AA) • 4 batteries (AA) • Universal (90 - 240 VAC), via external power supply
Condições Ambientais	Temperatura: 0 - 50 °C (32 - 122 °F) Humidade: 0 - 90 % a 30 °C, sem condensação Humidade: 0 - 80 % a 40 °C (104 °F), sem condensação Humidade: 0 - 70 % a 60 °C, não-condensação
Grau de Proteção	IP 67 (Instrumento)
Conformidade	<ul style="list-style-type: none"> • CE • CSA • FCC A • RoHS • TÜV • UL • WEE
Idiomas da Interface do Usuário	<ul style="list-style-type: none"> • Alemão • Chinês • Espanhol • Francês • Holandês • Inglês • Japonês • Polonês • Português • Turco
Idiomas do Guia de Início Rápido	<ul style="list-style-type: none"> • Alemão • Chinês • Espanhol • Francês • Holandês • Inglês • Italiano • Português • Russo • Turco

Idiomas do Manual Completo do Usuário	<ul style="list-style-type: none"> • Alemão • Chinês • Espanhol • Francês • Holandês • Inglês • Italiano • Português • Russo • Turco
Dimensões	155 x 83 x 225 mm
Peso	804 g (898 g with four AA alkaline batteries)
Peso com embalagem	(898 g with four AA alkaline batteries)

**Cuidado!**

Sujeito a modificações técnicas!
Para assegurar a máxima precisão dos resultados das medições, utilizar sempre os acessórios e os reagentes fornecidos pelo fabricante do instrumento.

8.1 Especificações - Adaptador de rede elétrica

Tipo	WR9QA2500USB52NMR6B
Desenho	Ficha do adaptador de rede elétrica, fonte de alimentação haveada
Tensão de entrada, frequência	100 – 240 V \pm 10 %, 50 / 60 Hz \pm 5 %
Corrente de entrada	0,3 A
Adaptador primário	Europa, Reino Unido, Austrália, EUA
Classe de protecção	II
Tensão de saída, frequência	5,2 V, DC
Corrente máxima de saída	2,5 A
Protecção de saída	Encerramento da saída e reinício automático
Condições ambientais	0 °C a 40 °C, com um máximo de 95 % de humidade relativa do ar
Classe de eficiência energética	VI
Norma de segurança	EN 62368

Tipo	WR9QA2500USB52NMR6B
EMC	EN 55032 FCC Part 15 Classe A EN 55024
Dimensões [mm]	31,5 x 41 x 71 (sem adaptador primário)
Peso, com adaptador UE	48 g (sem pinos de conexão com a rede elétrica)
Aprovação, EMC	CE, FCC
Metros de altitude permitidos	5000 m
Nível de poluição	2

**Cuidado!**

Sujeito a modificações técnicas!
Para assegurar a máxima precisão dos resultados das medições,
utilizar sempre os acessórios e os reagentes fornecidos pelo
fabricante do instrumento.

9 Apêndice

9.1 Aviso de Direitos do Autor e Marca Registrada

Lovibond®, Tintometer® e T-CAL® são marcas registradas do grupo de empresas Tintometer®. Todas as traduções e transliterações de Lovibond® e Tintometer® são afirmadas como marcas registradas do grupo The Tintometer®.

A marca Bluetooth®, o logotipo e a marca combinada são marcas registradas e de propriedade da Bluetooth SIG e qualquer utilização pelo Grupo Tintometer® está sob licença.

Tintometer GmbH

Lovibond® Water Testing
Schleefstraße 8-12
44287 Dortmund
Tel.: +49 (0)231/94510-0
sales@lovibond.com
www.lovibond.com
Germany

Tintometer South East Asia

Unit B-3-12, BBT One Boulevard,
Lebuh Nilam 2, Bandar Bukit Tinggi,
Klang, 41200, Selangor D.E
Tel.: +60 (0)3 3325 2285/6
Fax: +60 (0)3 3325 2287
lovibond.asia@tintometer.com
www.lovibond.com
Malaysia

Tintometer India Pvt. Ltd.

Door No: 7-2-C-14, 2nd, 3rd & 4th Floor
Sanathnagar Industrial Estate,
Hyderabad, 500018
Telangana
Tel: +91 (0) 40 23883300
Toll Free: 1 800 599 3891/ 3892
indiaoffice@lovibond.in
www.lovibondwater.in
India

The Tintometer Limited

Lovibond House
Sun Rise Way
Amesbury, SP4 7GR
Tel.: +44 (0)1980 664800
Fax: +44 (0)1980 625412
sales@lovibond.uk
www.lovibond.com
UK

Tintometer Brazil

Caixa Postal: 271
CEP: 13201-970
Jundiaí – SP
Tel.: +55 (11) 3230-6410
sales@lovibond.us
www.lovibond.com.br
Brazil

Tintometer Spain

Postbox: 24047
08080 Barcelona
Tel.: +34 661 606 770
sales@tintometer.es
www.lovibond.com
Spain

Tintometer China

9F, SOHO II C.
No.9 Guanghualu,
Chaoyang District,
Beijing, 100020
Customer Care China Tel.: 4009021628
Tel.: +86 10 85251111 Ext. 330
Fax: +86 10 85251001
chinaoffice@tintometer.com
www.lovibond.com
China

Tintometer Inc.

6456 Parkland Drive
Sarasota, FL 34243
Tel: 941.756.6410
Fax: 941.727.9654
sales@lovibond.us
www.lovibond.us
USA

Tintometer France

BAL n°227
76-78 rue Chanzy
51100 Reims
sales@lovibond.com
www.lovibond.com
France

Technical changes without notice

Printed in Germany 01/24

No.: 19820-131-OH

Lovibond® and Tintometer® are

Trademarks of the Tintometer Group
of Companies

